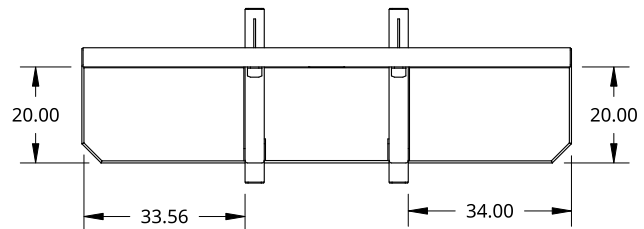
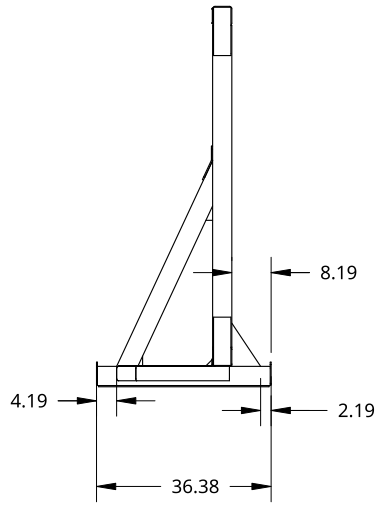
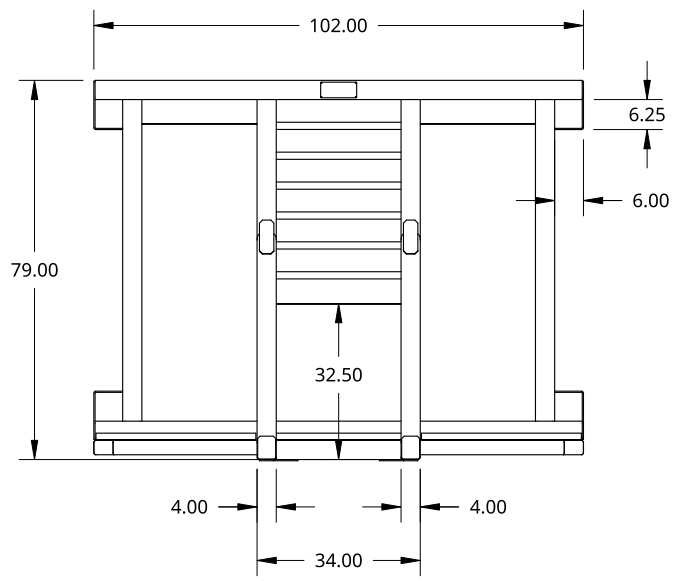
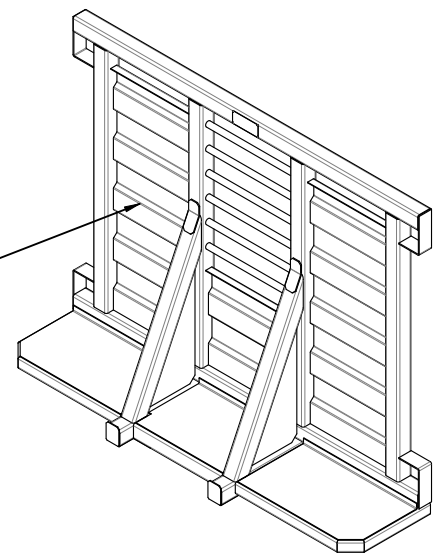


2

1



1 of ALU CHECKER



B

B

A

A

THIS DOCUMENT IS THE PROPERTY OF TREBOR MANUFACTURING. ANY UNAUTHORIZED REPRODUCTION WILL BE PROSECUTED TO THE FULL EXTENT OF THE LAW.



PART NO. TRFDROM79102
HEAVY DUTY CAB SHIELD FOR USE IN THE LOGGING TRANSPORT INDUSTRY

UNLESS OTHERWISE SPECIFIED, DIMENSIONS ARE IN INCHES
.XX = ±.1-
.XXX = ±.015- ANGULAR = ±1°
.XXXX = ±.005- FRACTIONAL = ±1/8

DRAWN SHAWN CROCKER 01/07/2021

THIRD ANGLE PROJECTION

MATERIAL



ALUM. 6061-T6

SIZE A DWG. NO. D2100 REV. A

SCALE 1:40 WEIGHT 390.29 LB SHEET 1 of 1

2

1