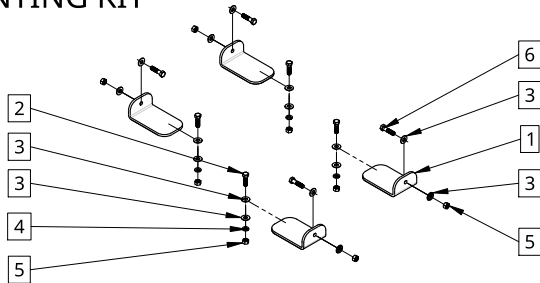


2

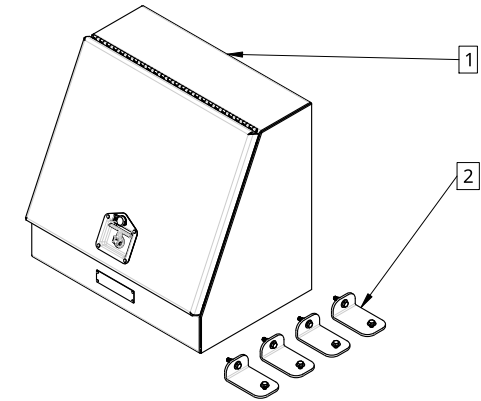
ITM	PARTNO	QTY	UOM	DESCRIPTION	MATERIAL
1	P11552	4	EACH	CENTER BOX MOUNTING ANGLE	1/4 ALU MILL
2	000044	4	EACH	BOLT - HEX HEAD - 3/8-16 X 1.25	STAINLESS STEEL
3	000244	16	EACH	WASHER - FLAT - 3/8	STAINLESS STEEL
4	000260	8	EACH	WASHER - LOCK - 3/8	STAINLESS STEEL
5	000222	8	EACH	NUT - REGULAR - 3/8-16	STAINLESS STEEL
6	000046	4	EACH	BOLT - HEX HEAD - 3/8-16 X 1.5	STAINLESS STEEL

MOUNTING KIT

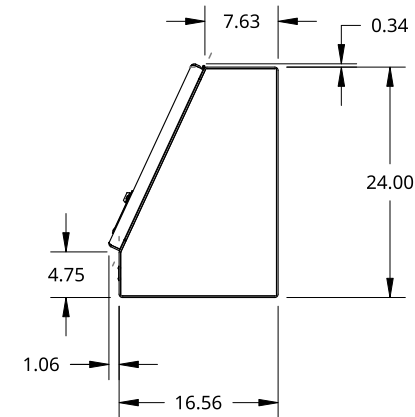
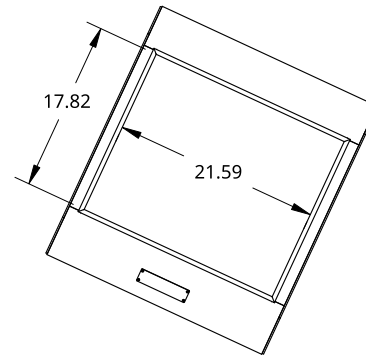
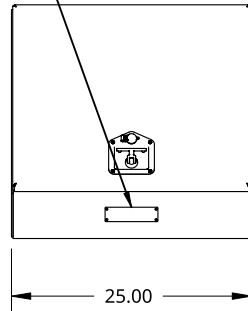


1

ITM	PARTNO	QTY	UOM	DESCRIPTION	MATERIAL
1	A14768	1	EACH	ANGLED DOOR TOP COVER TOOL BOX - 20IN DEEP X 16IN HIGH X 25IN WIDE WITH 4IN HIGH FRONT X 8IN DEEP TOP - T-HANDLE OPEN UP	1/8 ALU CHECKER
2	A11551	1	EACH	CENTER BOX MOUNTING KIT	ALUMINUM



COMPANY NAME
TAG APPROX. LOC.



<small>THIS DOCUMENT IS THE PROPERTY OF TREBOR MANUFACTURING. ANY UNAUTHORIZED REPRODUCTION WILL BE PROSECUTED TO THE FULL EXTENT OF THE LAW</small>				PART NO. TRFC162425	REV. E
UNLESS OTHERWISE SPECIFIED, DIMENSIONS ARE IN INCHES .XX = ±.1- .XXX = ±.015- .XXXX = ±.005- ANGULAR = ±1° FRACTIONAL = ±1/8		DRAWN SHAWN CROCKER	12/29/2021	TOOL BOX FOR MOUNTING ON FORESTRY CAB SHIELD BASE - 16.5625IN DEEP X 24IN HIGH X 25IN WIDE WITH 4.75IN HIGH FRONT X 7.625IN DEEP TOP - T-HANDLE OPEN UP	
THIRD ANGLE PROJECTION 		MATERIAL 1/8 ALU CHECKER		SIZE A	DWG NO. D11280
		SCALE 1:20	WEIGHT 42.5 LB	SHEET 1 of 1	

2

1