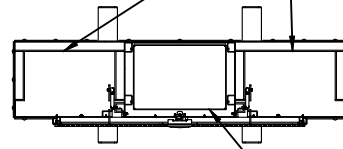


2

1

CHAIN HANGERS ON BOTH SIDES

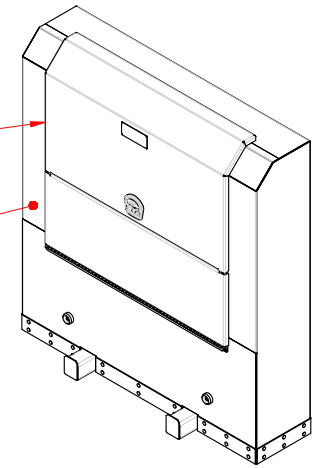


SECTION C - C

X3 ADJUSTABLE SHELVES IN CENTER

1/8 ALU CHECKER DOORS

1/8 ALU MILL BODY

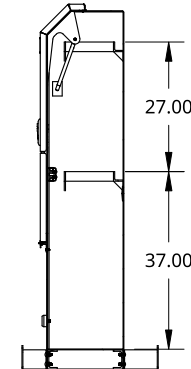
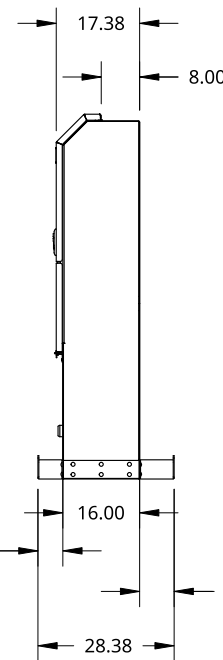
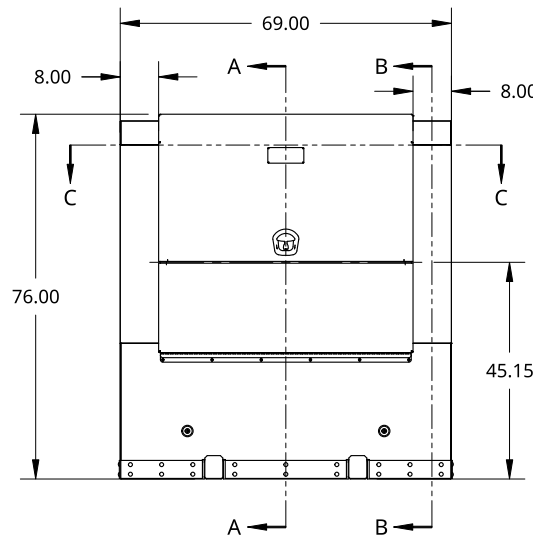
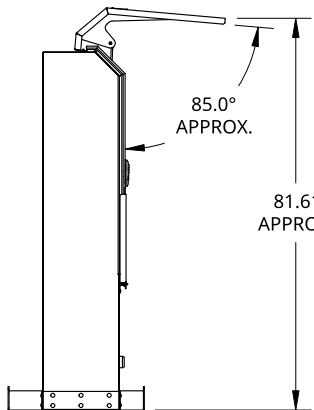


B

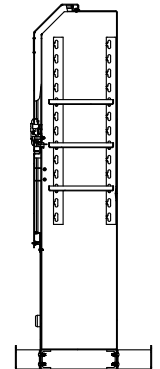
A

85.0° APPROX.

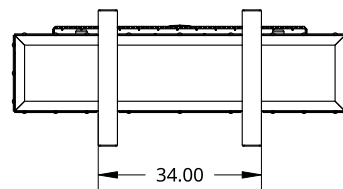
81.61 APPROX.



SECTION B - B



SECTION A - A



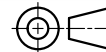
34.00

THIS DOCUMENT IS THE PROPERTY OF TREBOR MANUFACTURING. ANY UNAUTHORIZED REPRODUCTION WILL BE PROSECUTED TO THE FULL EXTENT OF THE LAW

UNLESS OTHERWISE SPECIFIED, DIMENSIONS ARE IN INCHES

.XX = ±.1-
.XXX = ±.015-
.XXXX = ±.005-
ANGULAR = ±1°
FRACTIONAL = ±1/8

THIRD ANGLE PROJECTION



DRAWN SHAWN CROCKER 09/15/2021

MATERIAL MIXED MATERIAL

PART NO. TRCLOSET167669 REV. D

CLOSET STYLE CAB SHIELD - 16IN DEEP X 76IN HIGH X 69IN WIDE - 1/8 ALU CHECKER DOORS - WHALE TAIL ON TOP DOOR

SIZE A DWG NO. D20137 REV. A

SCALE 1:40 WEIGHT 344.44 LB SHEET 1 of 1

2

1