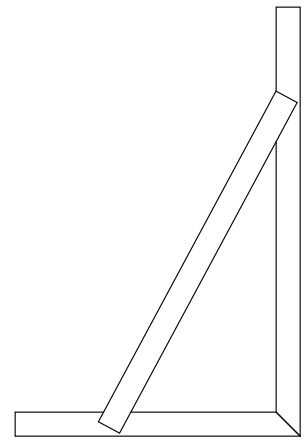
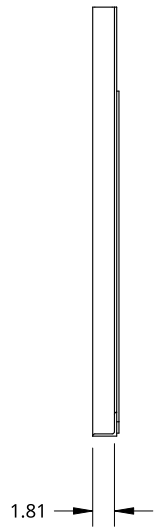
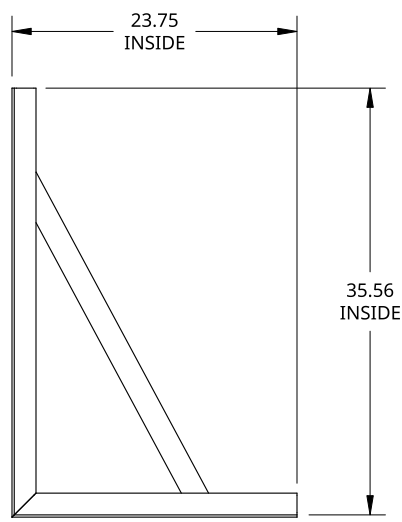
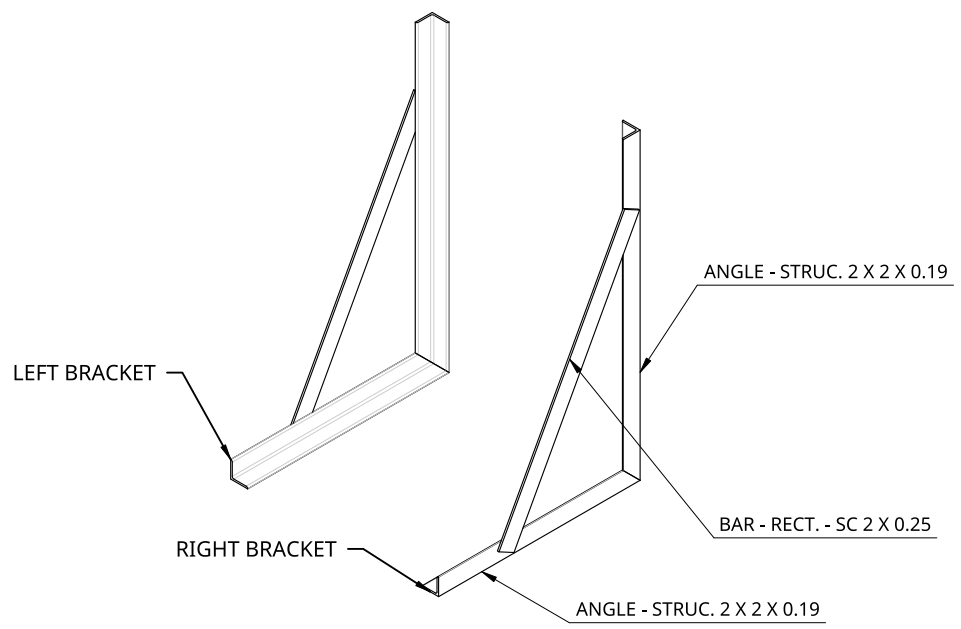


2

1

B

B



A

A

2

1

<small>THIS DOCUMENT IS THE PROPERTY OF TREBOR MANUFACTURING. ANY UNAUTHORIZED REPRODUCTION WILL BE PROSECUTED TO THE FULL EXTENT OF THE LAW</small>				PART NO. TRBST2436		REV. A1
<small>UNLESS OTHERWISE SPECIFIED, DIMENSIONS ARE IN INCHES .XX = ±.1- .XXX = ±.015- .XXXX = ±.005-</small>		<small>ANGULAR = ±1° FRACTIONAL = ±1/8</small>		UNDER BODY TOOL BOX BRACKET KIT - 24IN DEEP X 36IN HIGH		
<small>DRAWN</small>	<small>SHAWN CROCKER</small>	<small>08/27/2021</small>	<small>SIZE</small> A	<small>DWG NO.</small> D10637	REV. A	
<small>THIRD ANGLE PROJECTION</small>			<small>MATERIAL</small> STEEL BLACK POWDER COAT		<small>SCALE</small> 1:16	<small>WEIGHT</small> 30.21 LB
					<small>SHEET</small> 1 of 1	