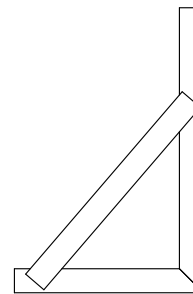
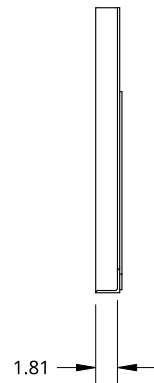
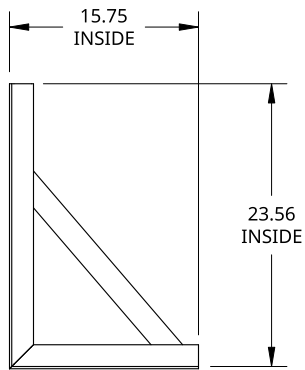
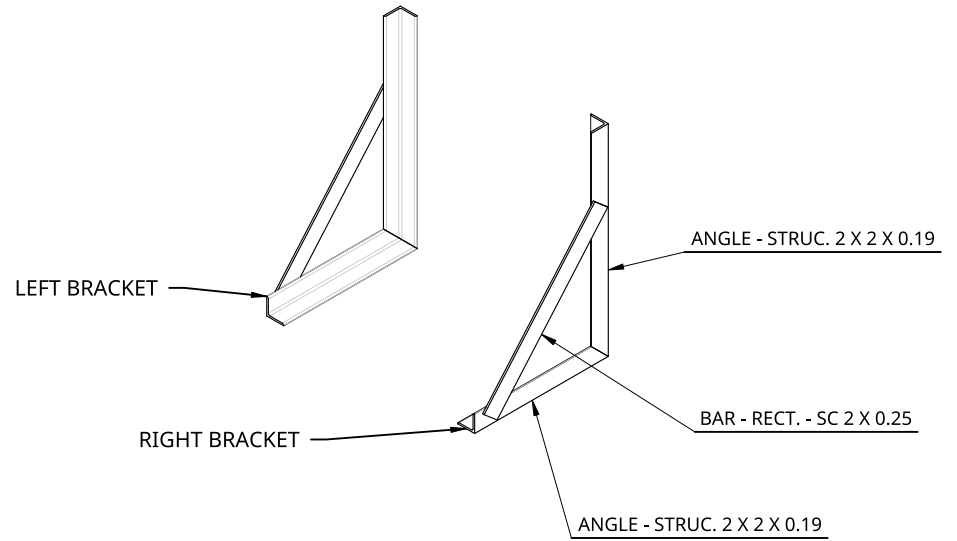


2

1

B

B



A

A

<small>THIS DOCUMENT IS THE PROPERTY OF TREBOR MANUFACTURING. ANY UNAUTHORIZED REPRODUCTION WILL BE PROSECUTED TO THE FULL EXTENT OF THE LAW</small>				PART NO. TRBST1624		REV. A
<small>UNLESS OTHERWISE SPECIFIED, DIMENSIONS ARE IN INCHES</small> <small>.XX = ±.1- ANGULAR = ±1°</small> <small>.XXX = ±.015- FRACTIONAL = ±1/8</small> <small>.XXXX = ±.005- FRACTIONAL = ±1/8</small>		<small>DRAWN BY SHAWN CROCKER 08/27/2021</small> <small>CHANGED BY SHAWN CROCKER 12/06/2022</small>		UNDER BODY TOOL BOX BRACKET KIT - 16IN DEEP X 24IN HIGH		
<small>THIRD ANGLE PROJECTION</small> 		MATERIAL STEEL POWDER COATED BLACK		SIZE A	DWG NO. D24381	REV. A
		SCALE 1:16	WEIGHT 19.74 LB	SHEET 1 of 1		

2

1