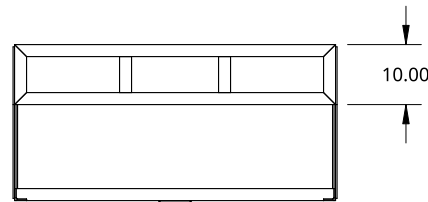
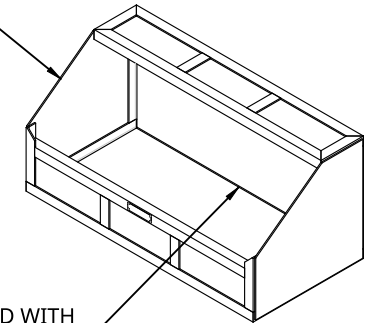


2

1

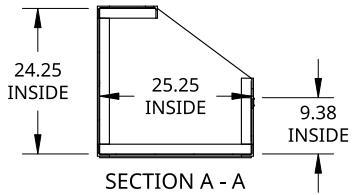
SIDES ARE SOLID ALUMINUM

INSIDES LINED WITH EXPANDED ALUMINUM

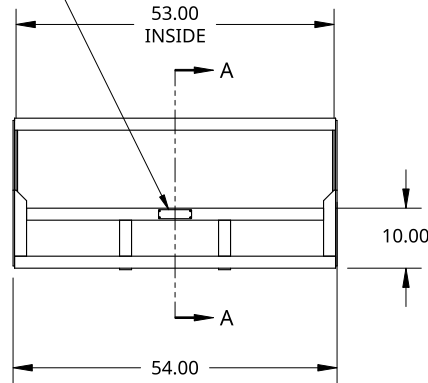


10.00

SMALL SIZE TREBOR NAME PLATE



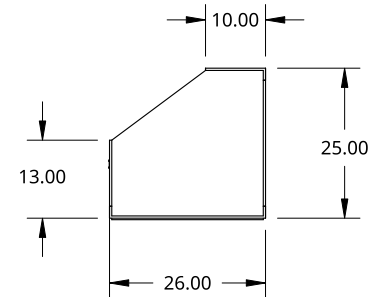
SECTION A - A



53.00 INSIDE

10.00

54.00



10.00

13.00

25.00

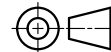
26.00

THIS DOCUMENT IS THE PROPERTY OF TREBOR MANUFACTURING. ANY UNAUTHORIZED REPRODUCTION WILL BE PROSECUTED TO THE FULL EXTENT OF THE LAW

UNLESS OTHERWISE SPECIFIED, DIMENSIONS ARE IN INCHES

.XX = ±.1- ANGULAR = ±1°  
.XXX = ±.015- FRACTIONAL = ±1/8  
.XXXX = ±.005-

THIRD ANGLE PROJECTION



DRAWN SHAWN CROCKER 01/13/2021

MATERIAL

ALUM. 6061-T6

PART NO. TRBRSF54 REV. A2

DUNNAGE BOX FOR MOUNTING UNDER DECK GIVING FULL SIDE ACCESS - 26IN DEEP X 25IN HIGH X 54IN WIDE

SIZE A DWG NO. D1752 REV. A2

SCALE 1:32 WEIGHT 83.43 LB SHEET 1 of 1

2

1

B

A

B

A