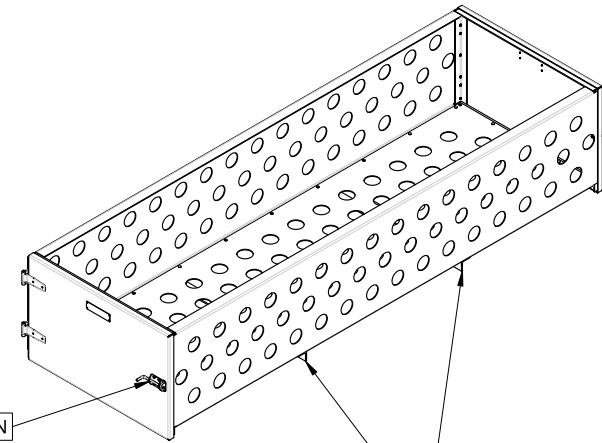
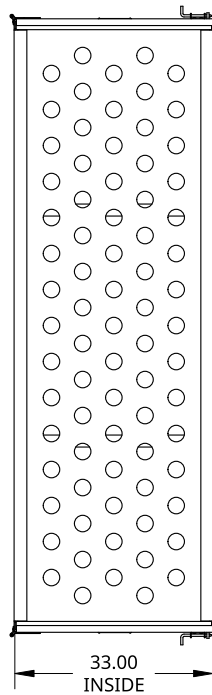


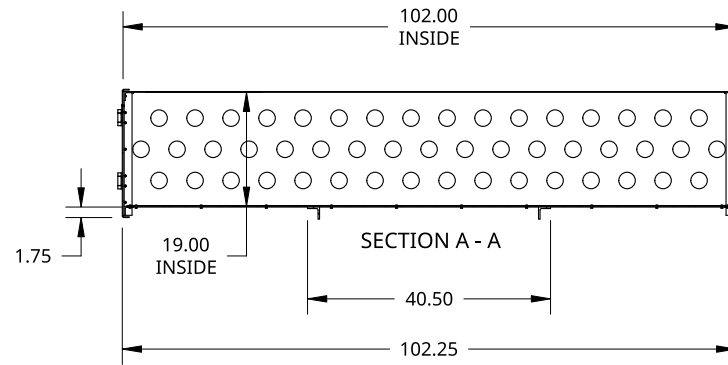
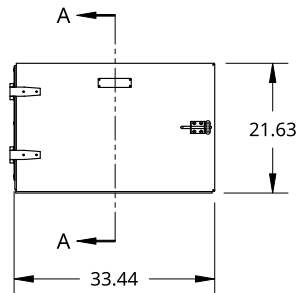
2

1



SPRING LATCH - 0.38IN

ANGLE - STRUC. 2 X 2 X 0.25 - MOUNTING ANGLE



<small>THIS DOCUMENT IS THE PROPERTY OF TREBOR MANUFACTURING. ANY UNAUTHORIZED REPRODUCTION WILL BE PROSECUTED TO THE FULL EXTENT OF THE LAW</small>				PART NO. <b>TRBRPL3319102</b>	REV. <b>C</b>
<small>UNLESS OTHERWISE SPECIFIED, DIMENSIONS ARE IN INCHES .XX = ±.1- .XXX = ±.015- .XXXX = ±.005-</small>		<small>ANGULAR = ±1° FRACTIONAL = ±1/8</small>		CROSS FRAME DUNNAGE RACK	
DRAWN SHAWN CROCKER	01/06/2022	SIZE <b>A</b>	DWG NO. <b>D14920</b>	REV. <b>A</b>	
THIRD ANGLE PROJECTION 		MATERIAL <b>1/8 ALU MILL</b>		SCALE <b>1:32</b>	WEIGHT <b>123.09 LB</b>
				SHEET <b>1 of 1</b>	

2

1

B

B

A

A