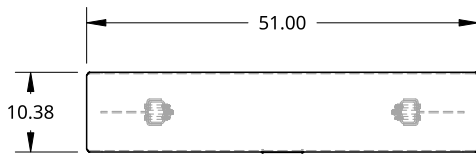


2

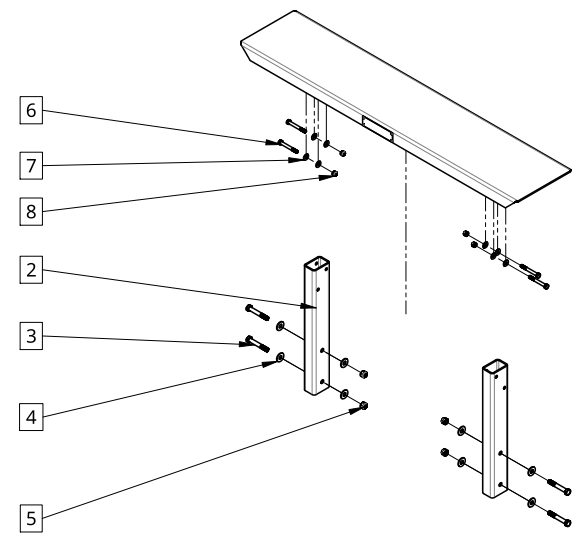
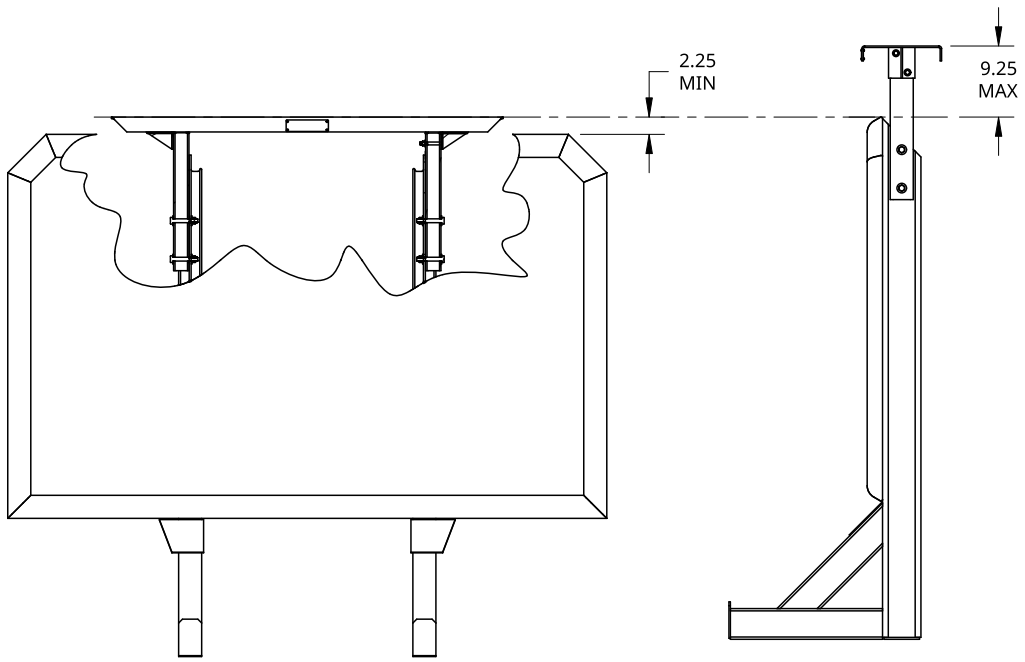
1



ITM	PARTNO	QTY	UOM	DESCRIPTION	MATERIAL
1	A2684	1	EACH	WELDED TOP PLATE BRACKET	ALUMINUM
2	P0488	2	EACH	TUBE - RECT. - RC 3 X 2 X 0.19 - MOUNTING BEAM	ALU MILL 6061-T6
3	000098	4	EACH	BOLT - HEX HEAD - 1/2-13 X 3.25	STAINLESS STEEL
4	000247	8	EACH	WASHER - FLAT - 1/2	STAINLESS STEEL
5	000228	4	EACH	NUT - NYLON LOCK - 1/2-13	STAINLESS STEEL
6	000058	4	EACH	BOLT - HEX HEAD - 3/8-16 X 3	STAINLESS STEEL
7	000244	8	EACH	WASHER - FLAT - 3/8	STAINLESS STEEL
8	000224	4	EACH	NUT - NYLON LOCK - 3/8-16	STAINLESS STEEL
9	A1919	1	EACH	TOOL BOX NAME PLATE WITH RIVETS	

B

B

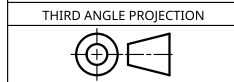


A

A

THIS DOCUMENT IS THE PROPERTY OF TREBOR MANUFACTURING. ANY UNAUTHORIZED REPRODUCTION WILL BE PROSECUTED TO THE FULL EXTENT OF THE LAW

UNLESS OTHERWISE SPECIFIED, DIMENSIONS ARE IN INCHES
 .XX = ±.1-
 .XXX = ±.015-
 .XXXX = ±.005-
 ANGULAR = ±1°
 FRACTIONAL = ±1/8



DRAWN SHAWN CROCKER 01/26/2022

MATERIAL ALUMINUM

PART NO. TRBLB51 REV. E

FIXED HEIGHT BEACON LIGHT BRACKET FOR MOUNTING TO CAB SHIELD LEG BEAM - 51IN WIDE

SIZE A DWG NO. D0060 REV. D

SCALE 1:25 WEIGHT 19.52 LB SHEET 1 of 1

2

1