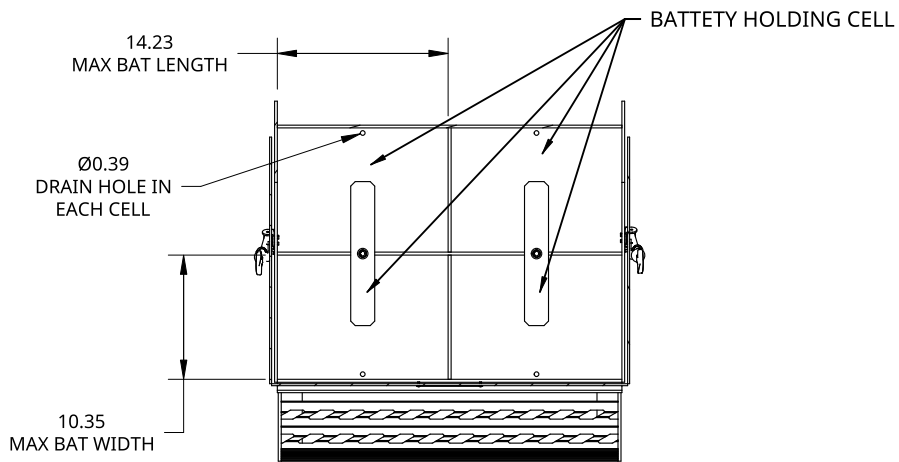
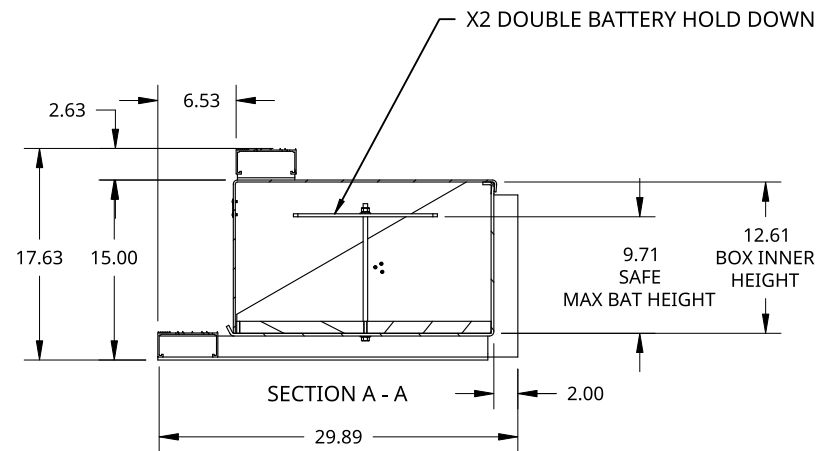
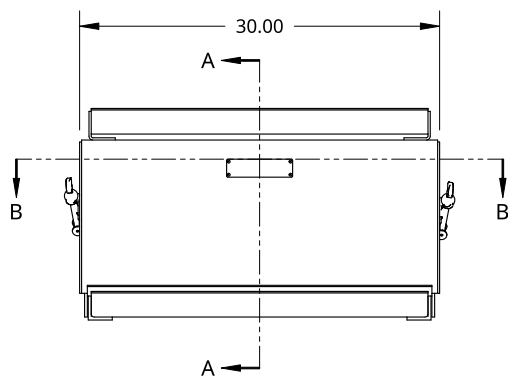
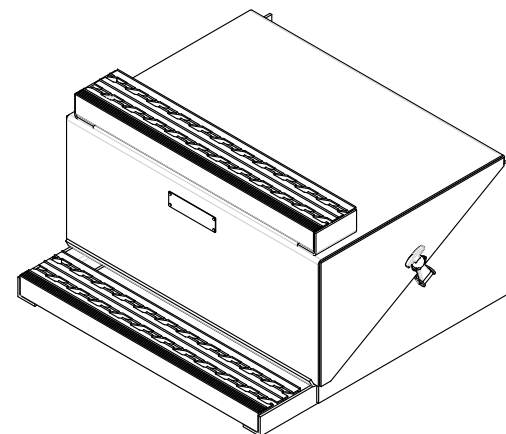


2

1



SECTION B - B



SECTION A - A

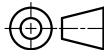
THIS DOCUMENT IS THE PROPERTY OF TREBOR MANUFACTURING. ANY UNAUTHORIZED REPRODUCTION WILL BE PROSECUTED TO THE FULL EXTENT OF THE LAW

UNLESS OTHERWISE SPECIFIED, DIMENSIONS ARE IN INCHES

.XX = ±.1-
.XXX = ±.015-
.XXXX = ±.005-

ANGULAR = ±1°
FRACTIONAL = ±1/8

THIRD ANGLE PROJECTION



DRAWN SHAWN CROCKER 09/02/2021

MATERIAL

3/16 ALU CHECKER

PART NO. TRBATSTEP301530

REV. A1

STEP BATTERY BOX - 30 X 15 X 30 - RUBBER HOOD LATCH

SIZE A DWG NO. D10814

REV. A

SCALE 1:16 WEIGHT 63.134 LB SHEET 1 of 1

2

1