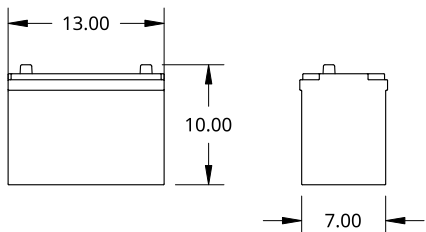


2

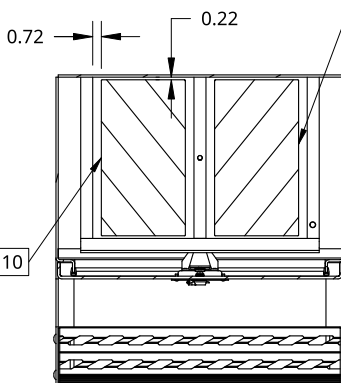
1

APPROX. BATTERY SIZE. NOT INCLUDED

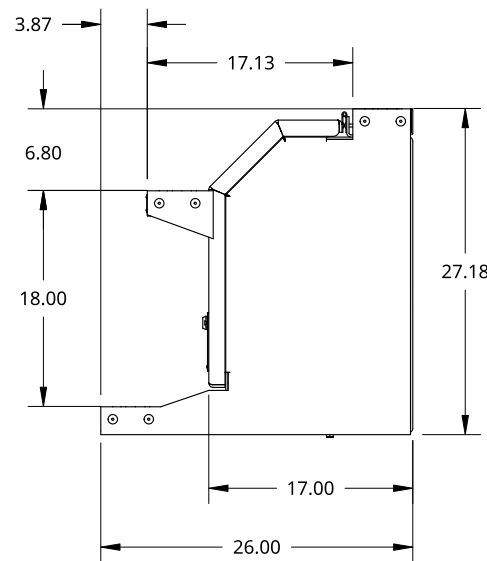
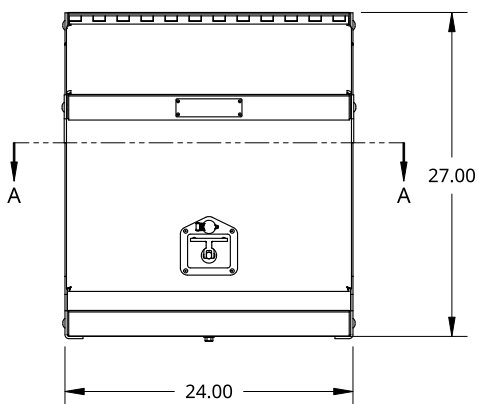
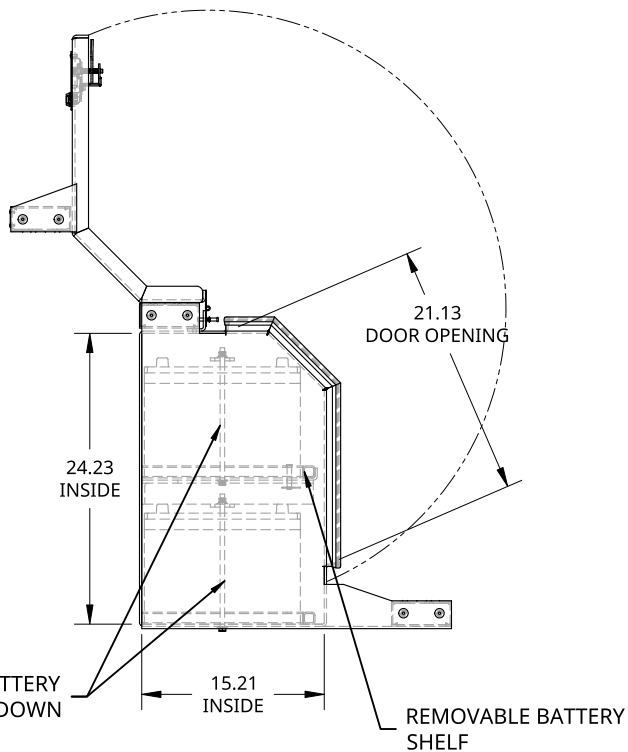
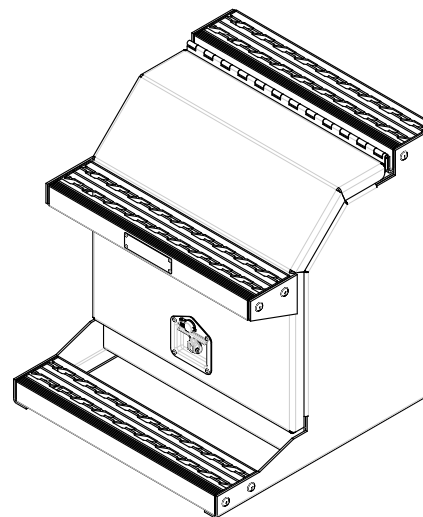


TRUCK BATTERY - 7 X 13 X 10

TRUCK BATTERY - 7 X 13 X 10



SECTION A - A

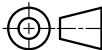


THIS DOCUMENT IS THE PROPERTY OF TREBOR MANUFACTURING. ANY UNAUTHORIZED REPRODUCTION WILL BE PROSECUTED TO THE FULL EXTENT OF THE LAW

UNLESS OTHERWISE SPECIFIED, DIMENSIONS ARE IN INCHES

.XX = ±.1-
.XXX = ±.015-
.XXXX = ±.005-
ANGULAR = ±1°
FRACTIONAL = ±1/8

THIRD ANGLE PROJECTION



DRAWN SHAWN CROCKER 10/20/2021

MATERIAL

3/16 ALU MILL

PART NO. TRBAT262724SP REV. B

STEP BOX WITH FULL CLAMHELL STYLE LID AND STORAGE FOR X4 BATTERIES - MIXED 3/16 MATERIAL - 26 X 27 X 24 - T-HANDLE

SIZE A DWG NO. D12684 REV. A

SCALE 1:16 WEIGHT 88.63 LB SHEET 1 of 1

2

1

B

B

A

A