

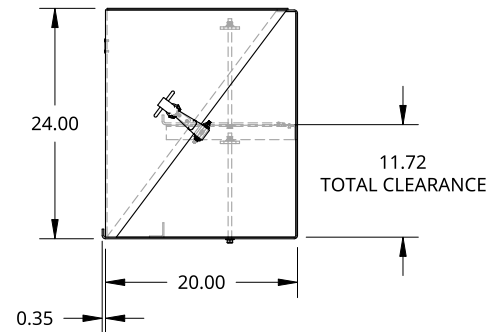
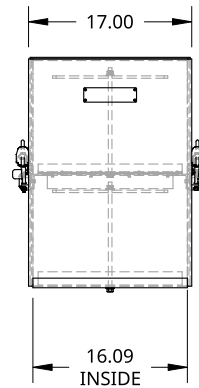
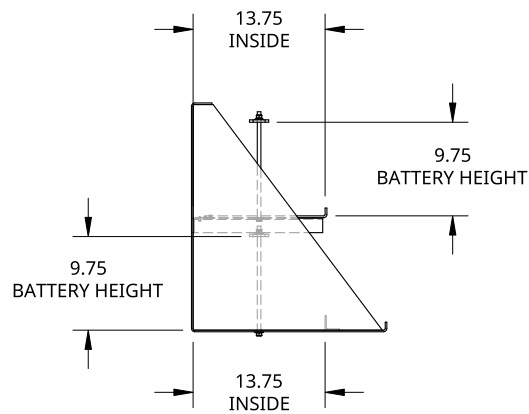
2

1

SHELF IS HINGED AND CAN FLIP UP OUT OF THE WAY WHILE INSTALLING BOTTOM BATTERIES

REMOVABLE LID

RUBBER HOOD STYLE LATCH BOTH SIDES





B

B

A

A

THIS DOCUMENT IS THE PROPERTY OF TREBOR MANUFACTURING. ANY UNAUTHORIZED REPRODUCTION WILL BE PROSECUTED TO THE FULL EXTENT OF THE LAW				PART NO.	TRBAT202416SP	REV.	C
UNLESS OTHERWISE SPECIFIED, DIMENSIONS ARE IN INCHES				CLAM SHELL STYLE BATTERY BOX WITH DETACHABLE LID - 20 X 24 X 17			
.XX = ±.1-	ANGULAR = ±1°	DRAWN BY	SHAWN CROCKER	03/03/2021			
.XXX = ±.015-	FRACTIONAL = ±1/8	CHANGED BY	SHAWN CROCKER	11/25/2022			
.XXXX = ±.005-		MATERIAL		SIZE	DWG. NO.	REV.	
THIRD ANGLE PROJECTION		1/8 ALU CHECKER		A	D3487	C	
				SCALE	1:20	WEIGHT	40.94 LB
				SHEET	1 of 1		

2

1