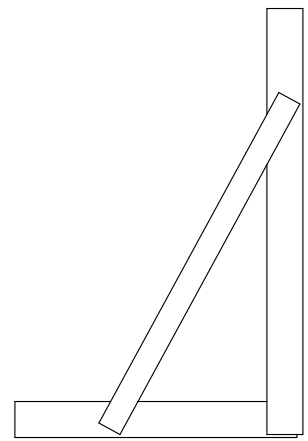
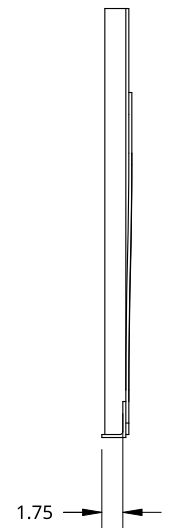
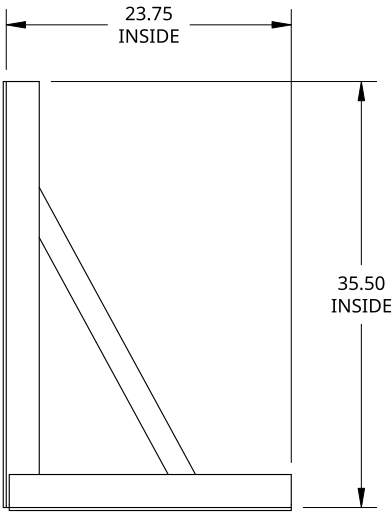
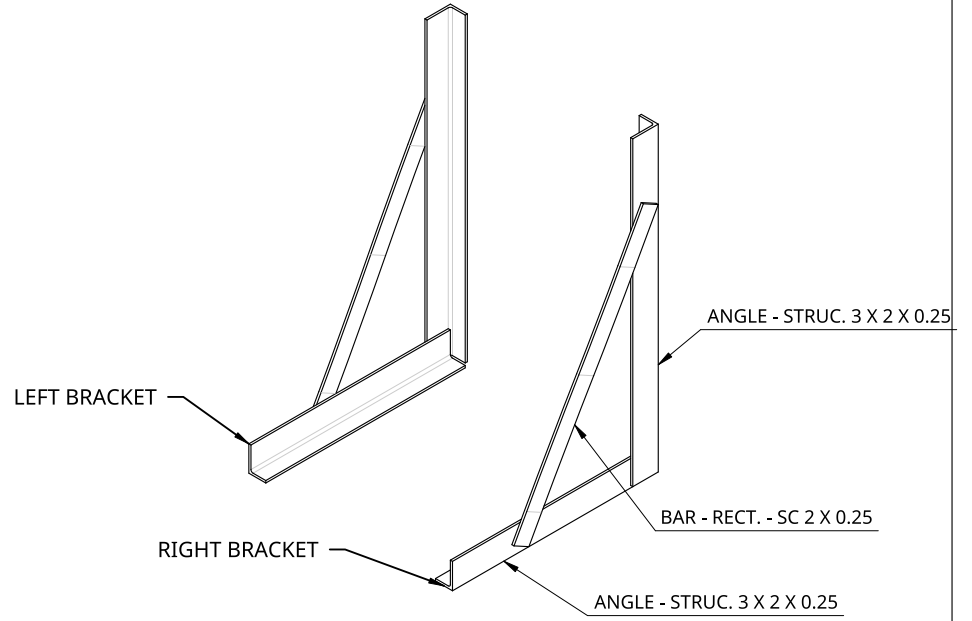


2

1

B

B





A

A

2

1

<small>THIS DOCUMENT IS THE PROPERTY OF TREBOR MANUFACTURING. ANY UNAUTHORIZED REPRODUCTION WILL BE PROSECUTED TO THE FULL EXTENT OF THE LAW</small>				PART NO. TRBAL2436	REV. A1
<small>UNLESS OTHERWISE SPECIFIED, DIMENSIONS ARE IN INCHES .XX = ±.1- .XXX = ±.015- .XXXX = ±.005-</small>		<small>ANGULAR = ±1° FRACTIONAL = ±1/8</small>		UNDER BODY TOOL BOX BRACKET KIT - 24IN DEEP X 36IN HIGH	
DRAWN SHAWN CROCKER	08/27/2021	SIZE A	DWG NO. D10635	REV. A	
THIRD ANGLE PROJECTION 		MATERIAL ALUMINUM		SCALE 1:16	WEIGHT 17.01 LB
				SHEET 1 of 1	