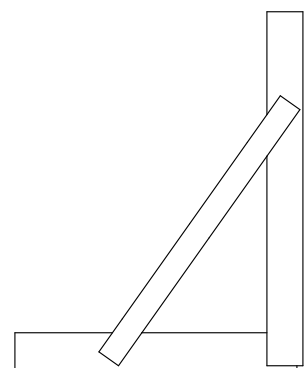
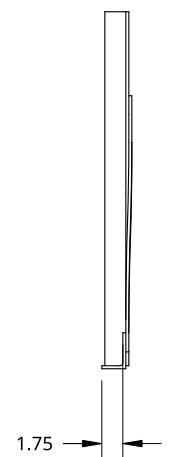
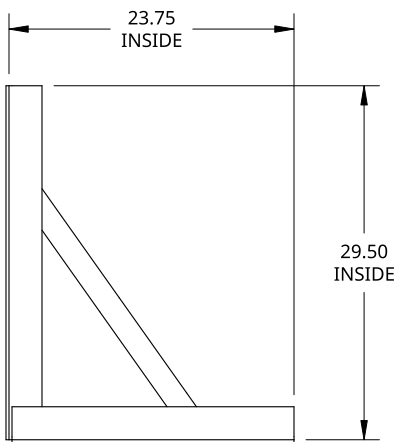
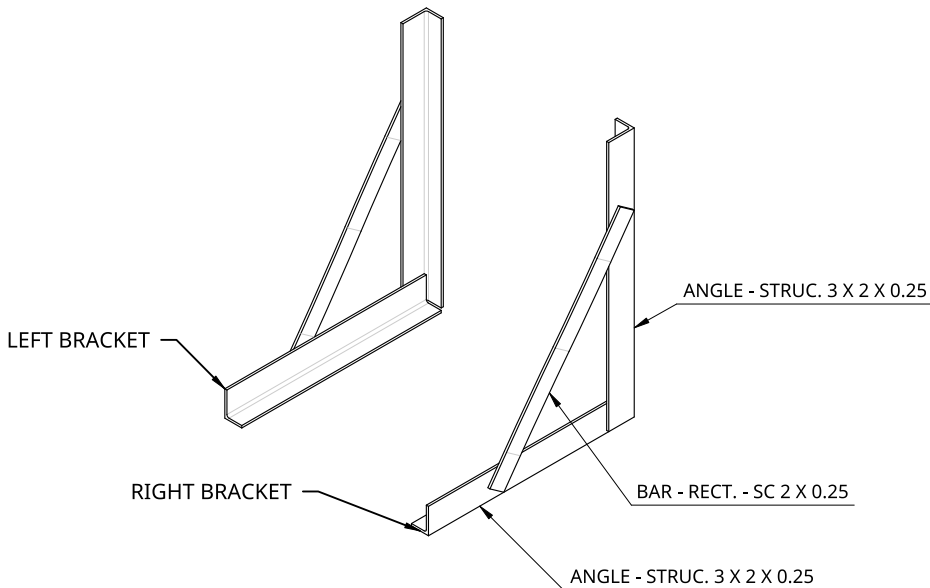


2

1

B

B



A

A

<small>THIS DOCUMENT IS THE PROPERTY OF TREBOR MANUFACTURING. ANY UNAUTHORIZED REPRODUCTION WILL BE PROSECUTED TO THE FULL EXTENT OF THE LAW</small>				PART NO. TRBAL2430	REV. A2
<small>UNLESS OTHERWISE SPECIFIED, DIMENSIONS ARE IN INCHES .XX = ±.1- .XXX = ±.015- .XXXX = ±.005- ANGULAR = ±1° FRACTIONAL = ±1/8</small>		DRAWN SHAWN CROCKER 12/24/2020		UNDER BODY TOOL BOX BRACKET KIT - 24IN DEEP X 30IN HIGH	
THIRD ANGLE PROJECTION 		MATERIAL ALUMINUM		SIZE A	DWG NO. D4790
		SCALE 1:16	WEIGHT 15.08 LB	SHEET 1 of 1	REV. A1

2

1