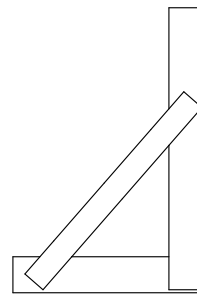
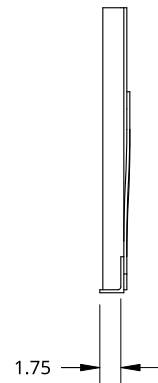
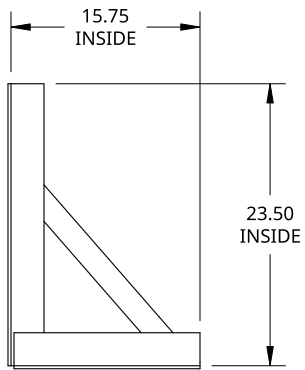
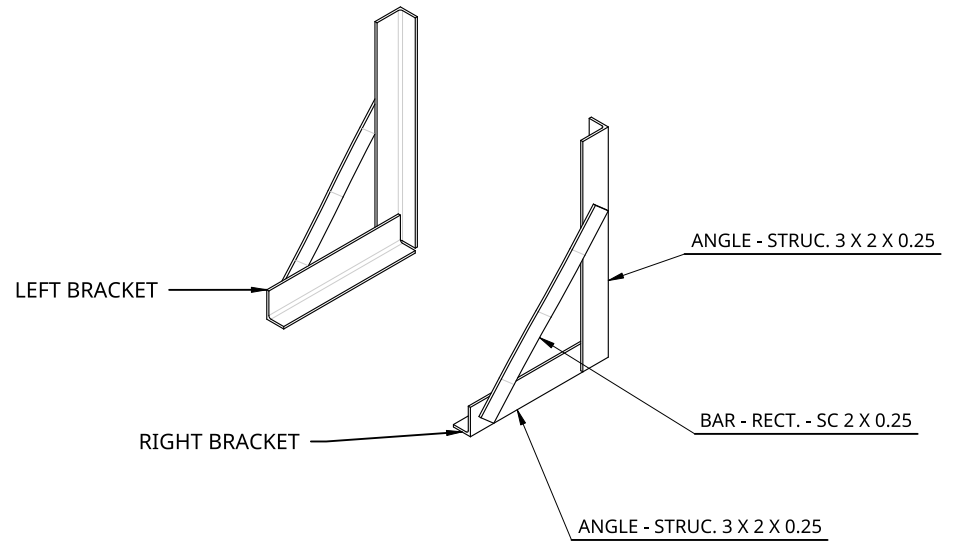


2

1

B

B



A

A

<small>THIS DOCUMENT IS THE PROPERTY OF TREBOR MANUFACTURING. ANY UNAUTHORIZED REPRODUCTION WILL BE PROSECUTED TO THE FULL EXTENT OF THE LAW</small>				PART NO. TRBAL1624		REV. A
UNLESS OTHERWISE SPECIFIED, DIMENSIONS ARE IN INCHES .XX = ±.1- .XXX = ±.015- .XXXX = ±.005-		ANGULAR = ±1° FRACTIONAL = ±1/8		UNDER BODY TOOL BOX BRACKET KIT - 16IN DEEP X 24IN HIGH		
THIRD ANGLE PROJECTION 		MATERIAL ALUMINUM		SIZE A	DWG NO. D24348	REV. A
				SCALE 1:16	WEIGHT 11.18 LB	SHEET 1 of 1

2

1