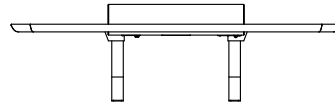


2

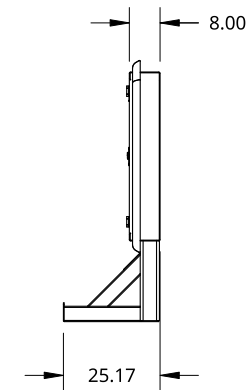
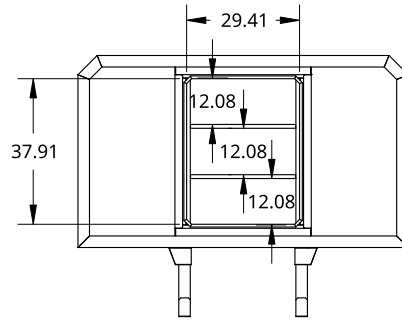
1



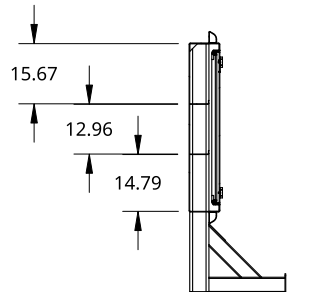
1/8 ALU CHECKER PANELS

T-HANDLE

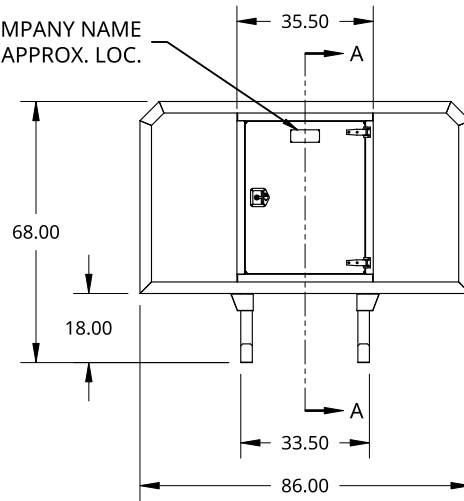
1/8 ALU CHECKER 3003-H14 DOOR



COMPANY NAME  
TAB APPROX. LOC.



SECTION A - A



A

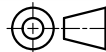
A

THIS DOCUMENT IS THE PROPERTY OF TREBOR MANUFACTURING. ANY UNAUTHORIZED REPRODUCTION WILL BE PROSECUTED TO THE FULL EXTENT OF THE LAW

UNLESS OTHERWISE SPECIFIED, DIMENSIONS ARE IN INCHES

.XX = ±.1-  
.XXX = ±.015-  
.XXXX = ±.005-  
ANGULAR = ±1°  
FRACTIONAL = ±1/8

THIRD ANGLE PROJECTION



DRAWN SHAWN CROCKER 12/29/2021

MATERIAL

1/8 ALU CHECKER

PART NO. TR6886CC REV. C

CORRUGATED PANEL CAB SHIELD WITH CENTER CABINET - 68 X 86 - CENTER SHELVES - T-HANDLE OPEN RIGHT

SIZE A DWG NO. D4675 REV. B

SCALE 1:50 WEIGHT 192.09 LB SHEET 1 of 1

2

1

B

B