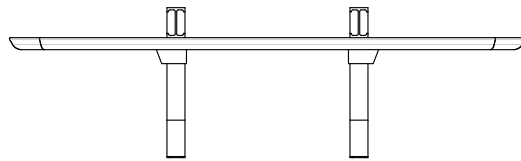
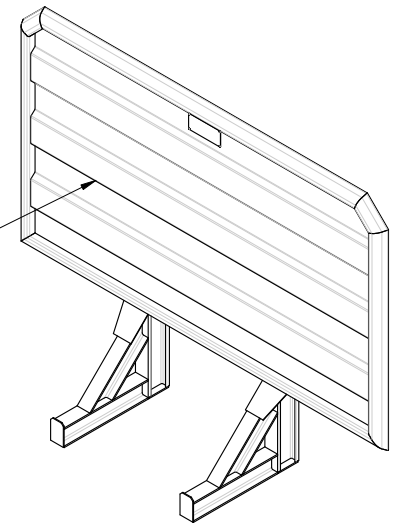


2

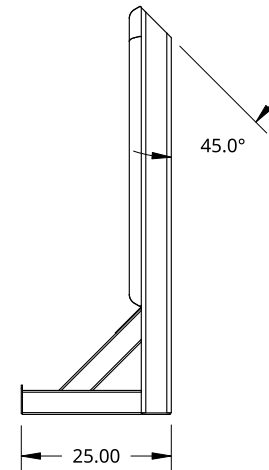
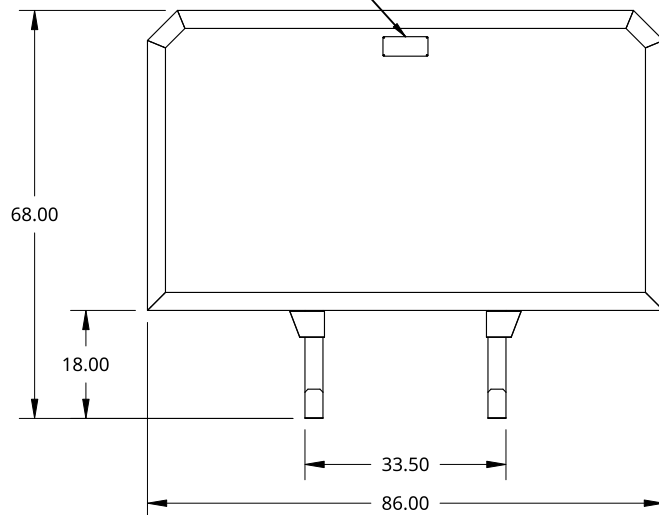
1



1/8 ALU CHECKER PANEL



TREBOR NAME PLATE APPROX. LOCATION



<small>THIS DOCUMENT IS THE PROPERTY OF TREBOR MANUFACTURING. ANY UNAUTHORIZED REPRODUCTION WILL BE PROSECUTED TO THE FULL EXTENT OF THE LAW</small>				PART NO. TR6886	REV. C
<small>UNLESS OTHERWISE SPECIFIED, DIMENSIONS ARE IN INCHES .XX = ±.1- .XXX = ±.015- .XXXX = ±.005-</small>		<small>ANGULAR = ±1° FRACTIONAL = ±1/8</small>		STANDARD CAB SHIELD - 68 X 86 - 1/8 ALU CHECKER PANEL	
DRAWN SHAWN CROCKER	08/23/2021	MATERIAL ALUMINUM		SIZE A	DWG NO. D4617
THIRD ANGLE PROJECTION 		SCALE 1:32	WEIGHT 144.81 LB	SHEET 1 of 1	REV. C

2

1

B

B

A

A