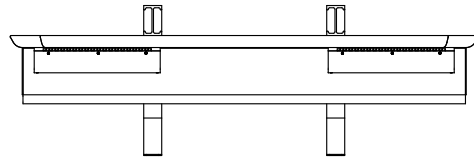


2

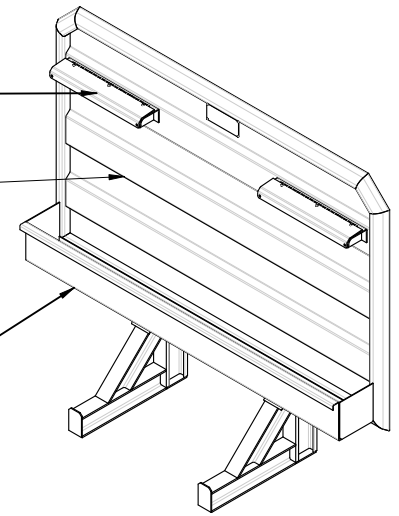
1



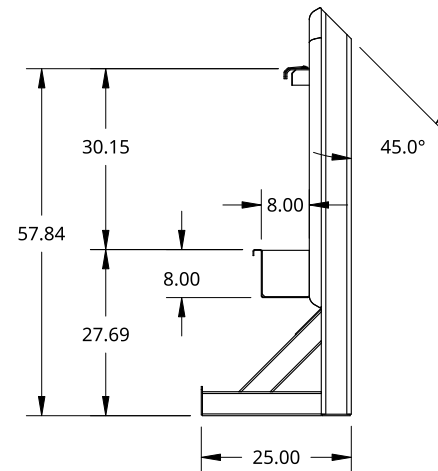
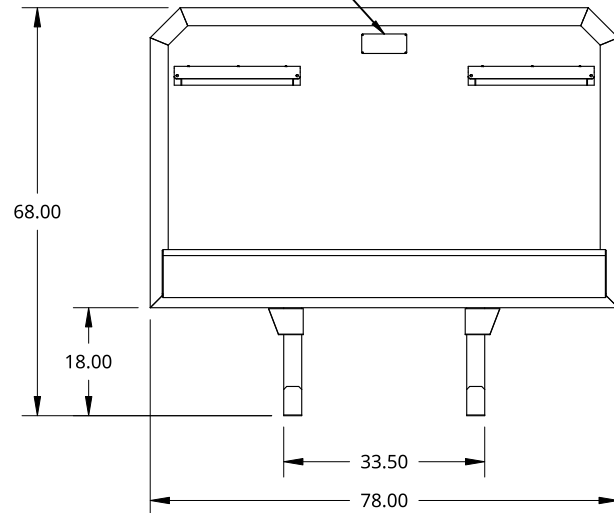
CHAIN HANGERS WITH 12 HANGERS EACH

1/8 ALU CHECKER PANEL

FULL CHAIN BUCKET



TREBOR NAME PLATE APPROX. LOCATION



<small>THIS DOCUMENT IS THE PROPERTY OF TREBOR MANUFACTURING. ANY UNAUTHORIZED REPRODUCTION WILL BE PROSECUTED TO THE FULL EXTENT OF THE LAW</small>				PART NO. TR6878-PLUS	REV. C
<small>UNLESS OTHERWISE SPECIFIED, DIMENSIONS ARE IN INCHES .XX = ±.1- .XXX = ±.015- .XXXX = ±.005-</small>		<small>ANGULAR = ±1° FRACTIONAL = ±1/8</small>		STANDARD CAB SHIELD - 68 X 78 - 1/8 ALU CHECKER PANEL - CHAIN HANGER AND BUCKET	
DRAWN SHAWN CROCKER	08/24/2021	SIZE A	DWG NO. D2038	REV. B	
THIRD ANGLE PROJECTION 		MATERIAL ALUMINUM	SCALE 1:32	WEIGHT 168.59 LB	SHEET 1 of 1

2

1

B

B

A

A