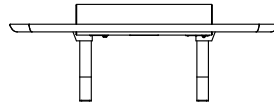


2

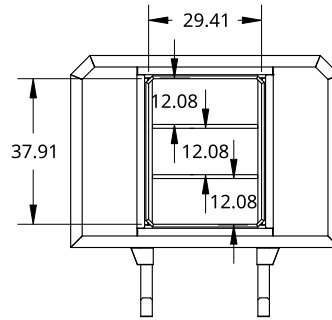
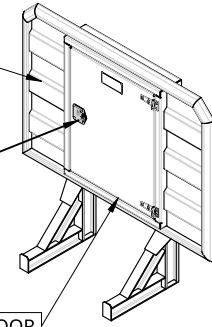
1



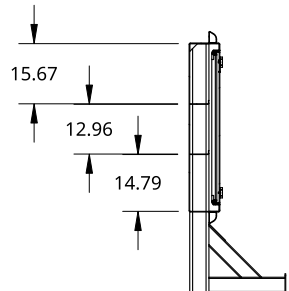
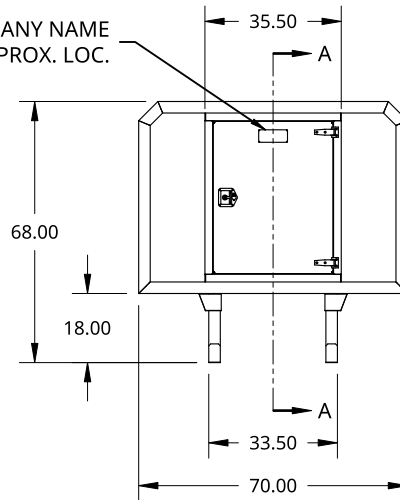
1/8 ALU CHECKER PANELS

T-HANDLE

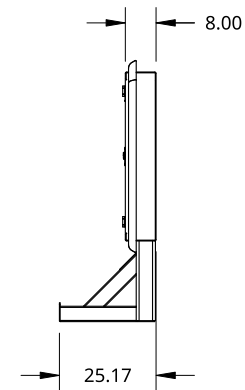
1/8 ALU CHECKER 3003-H14 DOOR



COMPANY NAME
TAB APPROX. LOC.



SECTION A - A

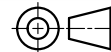


THIS DOCUMENT IS THE PROPERTY OF TREBOR MANUFACTURING. ANY UNAUTHORIZED REPRODUCTION WILL BE PROSECUTED TO THE FULL EXTENT OF THE LAW

UNLESS OTHERWISE SPECIFIED, DIMENSIONS ARE IN INCHES

.XX = ±.1- ANGULAR = ±1°
.XXX = ±.015- FRACTIONAL = ±1/8
.XXXX = ±.005-

THIRD ANGLE PROJECTION



DRAWN SHAWN CROCKER 12/15/2020

MATERIAL
1/8 ALU CHECKER

PART NO. TR6870CC REV. B

CORRUGATED PANEL CAB SHIELD WITH CENTER CABINET - 68 X 70 - CENTER SHELVES - T-HANDLE OPEN RIGHT

SIZE A DWG NO. D4665 REV. C

SCALE 1:50 WEIGHT 179.1 LB SHEET 1 of 1

2

1

B

B

A

A