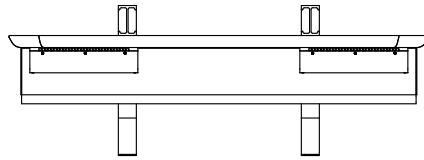


2

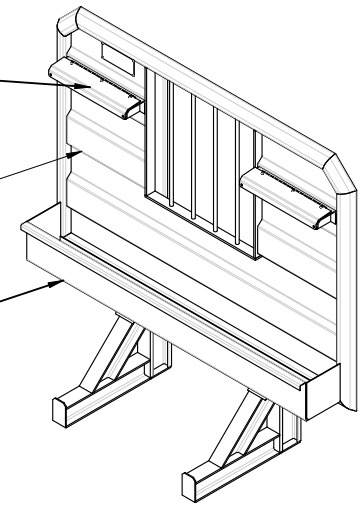
1



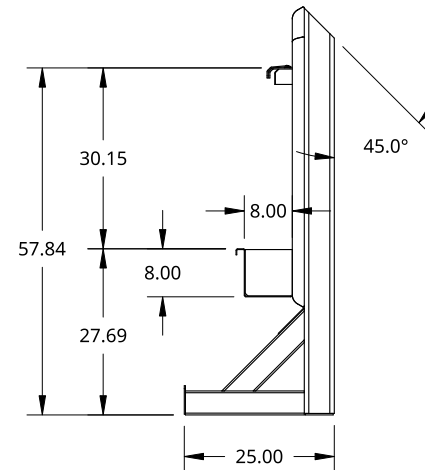
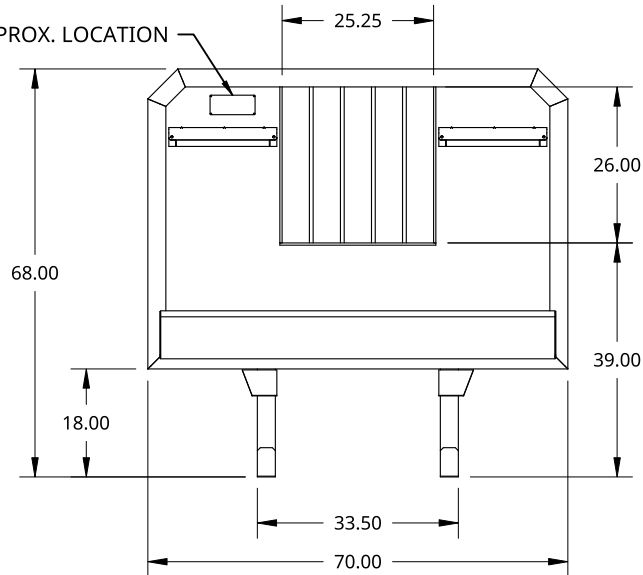
CHAIN HANGERS WITH 9 HANGERS EACH

1/8 ALU CHECKER PANEL

FULL CHAIN BUCKET



TREBOR NAME PLATE APPROX. LOCATION



B

B

A

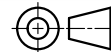
A

THIS DOCUMENT IS THE PROPERTY OF TREBOR MANUFACTURING. ANY UNAUTHORIZED REPRODUCTION WILL BE PROSECUTED TO THE FULL EXTENT OF THE LAW

UNLESS OTHERWISE SPECIFIED, DIMENSIONS ARE IN INCHES

.XX = ±.1-  
.XXX = ±.015-  
.XXXX = ±.005-  
ANGULAR = ±1°  
FRACTIONAL = ±1/8

THIRD ANGLE PROJECTION



DRAWN SHAWN CROCKER 08/24/2021

MATERIAL ALUMINUM

PART NO. TR6870-DELUX REV. C

STANDARD CAB SHIELD - 68 X 70 - 1/8 ALU CHECKER PANEL - CHAIN HANGER AND BUCKET - WINDOW

SIZE A DWG NO. D5643 REV. B

SCALE 1:32 WEIGHT 158.19 LB SHEET 1 of 1

2

1