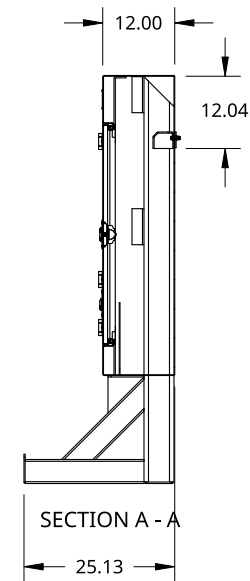
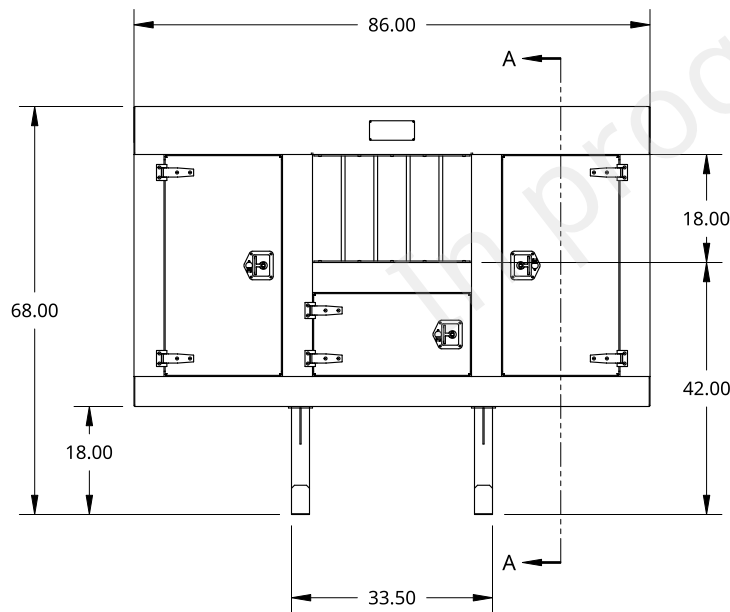
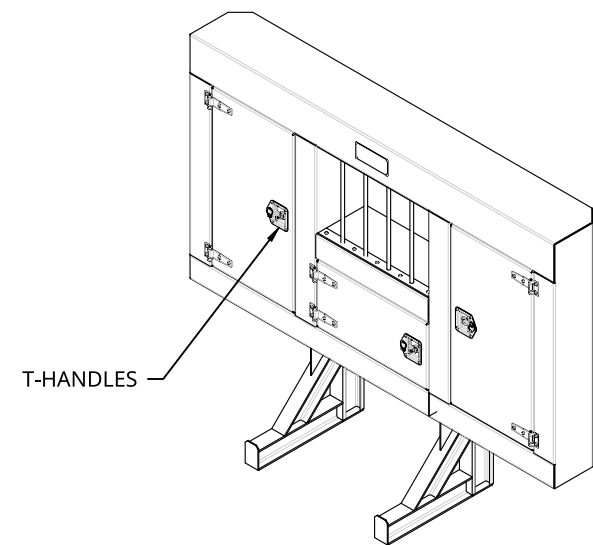
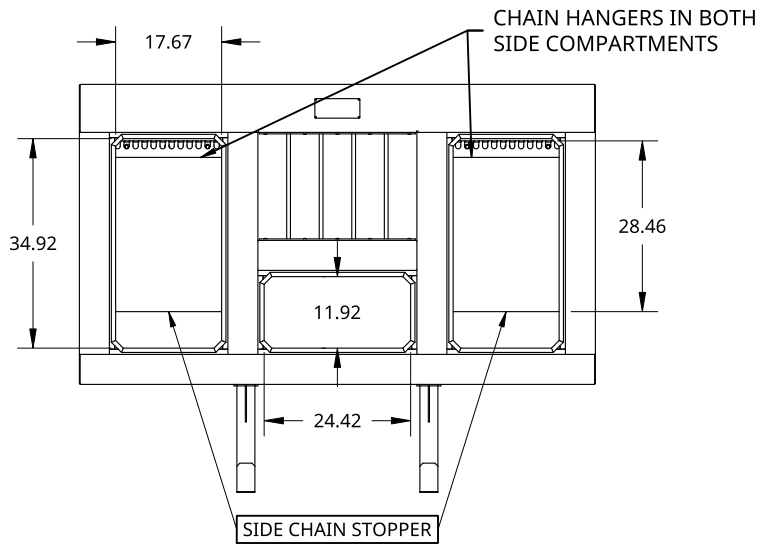


2

1



THIS DOCUMENT IS THE PROPERTY OF TREBOR MANUFACTURING. ANY UNAUTHORIZED REPRODUCTION WILL BE PROSECUTED TO THE FULL EXTENT OF THE LAW

UNLESS OTHERWISE SPECIFIED, DIMENSIONS ARE IN INCHES

.XX = ±.1-  
.XXX = ±.015- ANGULAR = ±1°  
.XXXX = ±.005- FRACTIONAL = ±1/8

THIRD ANGLE PROJECTION



DRAWN BY	SHAWN CROCKER	08/11/2021
CHANGED BY	SHAWN CROCKER	08/08/2023

MATERIAL  
1/8 ALU MILL

PART NO. TR3DWPL6886

STANDARD COMPARTMENT CAB SHIELD - THREE DOORS W/WINDOW - T-HANDLE - 68IN HIGH X 86IN WIDE

SIZE	A	DWG. NO.	D10213	REV.	
------	---	----------	--------	------	--

SCALE	1:32	WEIGHT	272.99 LB	SHEET	1 of 1
-------	------	--------	-----------	-------	--------

2

1

B

B

A

A