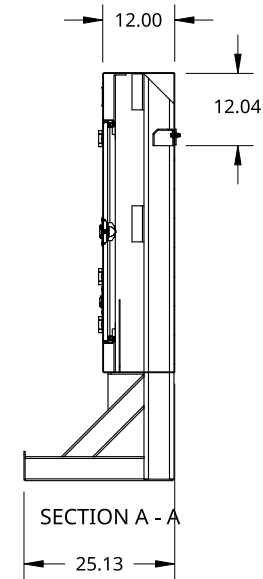
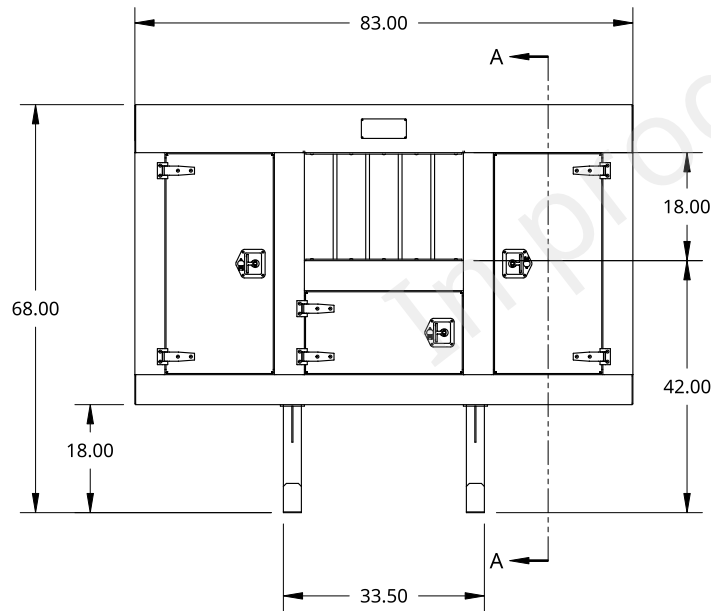
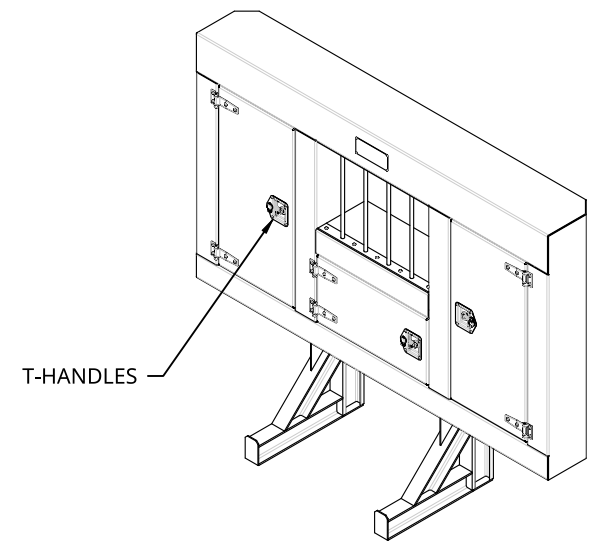
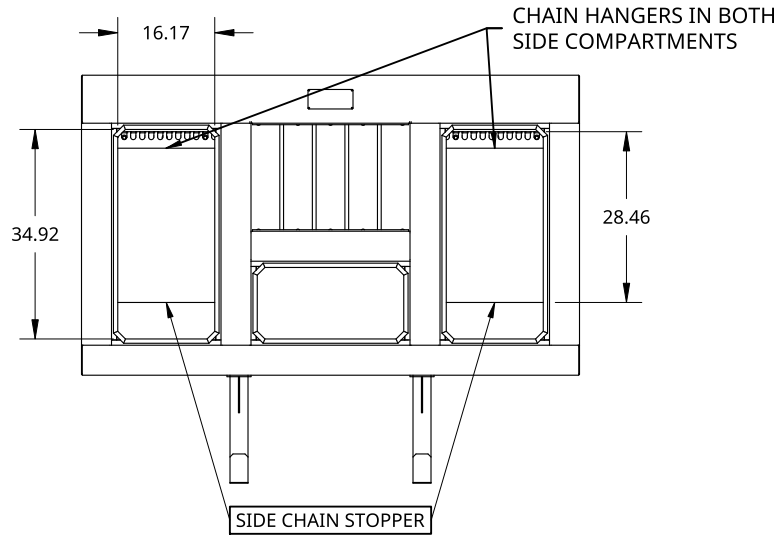


2

1



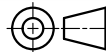
THIS DOCUMENT IS THE PROPERTY OF TREBOR MANUFACTURING. ANY UNAUTHORIZED REPRODUCTION WILL BE PROSECUTED TO THE FULL EXTENT OF THE LAW

UNLESS OTHERWISE SPECIFIED, DIMENSIONS ARE IN INCHES

.XX = ±.1-
.XXX = ±.015-
.XXXX = ±.005-

ANGULAR = ±1°
FRACTIONAL = ±1/8

THIRD ANGLE PROJECTION



DRAWN BY	SHAWN CROCKER	08/11/2021
CHANGED BY	SHAWN CROCKER	08/08/2023

MATERIAL

1/8 ALU MILL

PART NO. TR3DWPL6883

STANDARD COMPARTMENT CAB SHIELD - THREE DOORS W/WINDOW - T-HANDLE - 68IN HIGH X 83IN WIDE

SIZE	A	DWG NO.	D10212	REV.	
------	---	---------	--------	------	--

SCALE	1:32	WEIGHT	267.68 LB	SHEET	1 of 1
-------	------	--------	-----------	-------	--------

2

1

B

B

A

A