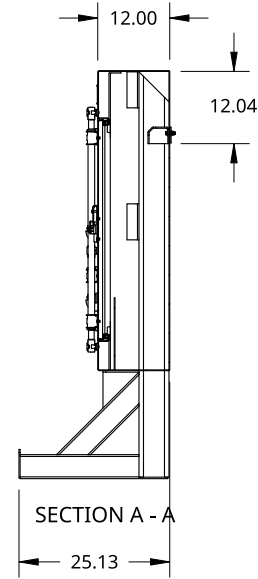
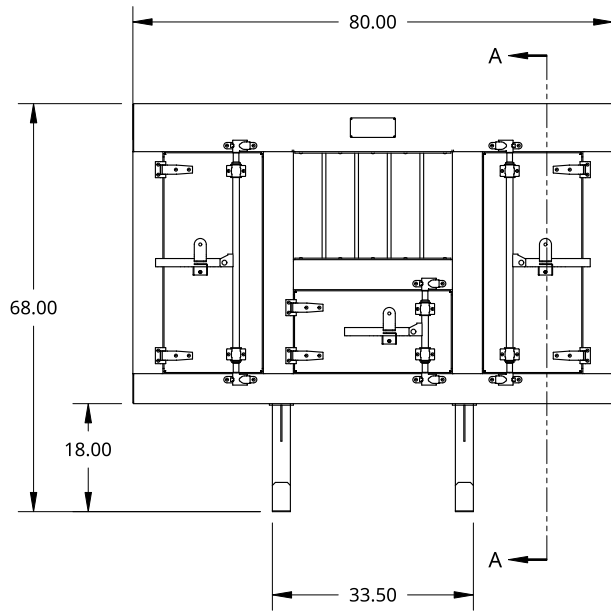
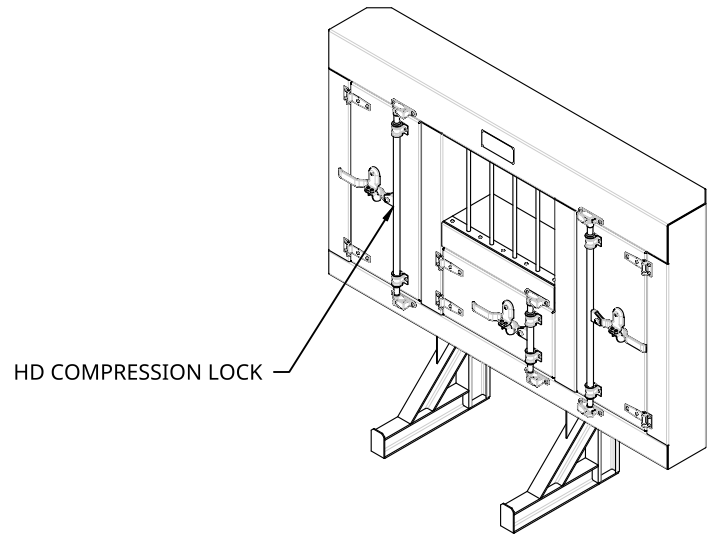
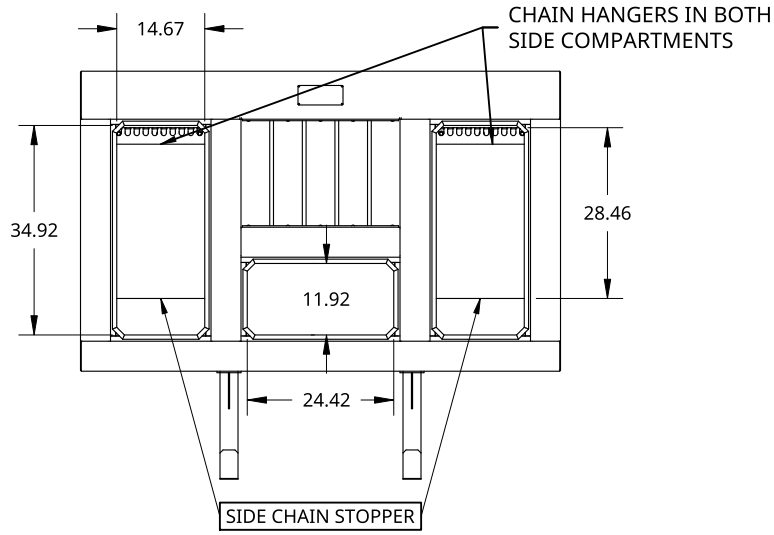


2

1



B

B

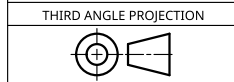
A

A

THIS DOCUMENT IS THE PROPERTY OF TREBOR MANUFACTURING. ANY UNAUTHORIZED REPRODUCTION WILL BE PROSECUTED TO THE FULL EXTENT OF THE LAW



UNLESS OTHERWISE SPECIFIED, DIMENSIONS ARE IN INCHES
 .XX = ±.1-
 .XXX = ±.015-
 .XXXX = ±.005-
 ANGULAR = ±1°
 FRACTIONAL = ±1/8



DRAWN BY	SHAWN CROCKER	06/16/2023
CHANGED BY	SHAWN CROCKER	06/21/2023

MATERIAL
 1/8 ALU MILL

PART NO. TR3DWPL6880P REV. A

STANDARD COMPARTMENT CAB SHIELD - THREE DOORS W/WINDOW - COMPRESSION LOCK - 68IN HIGH X 80IN WIDE

SIZE A DWG NO. D31614 REV. A

SCALE 1:32 WEIGHT 299.1 LB SHEET 1 of 1

2

1