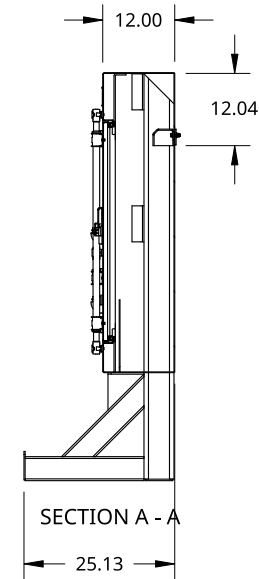
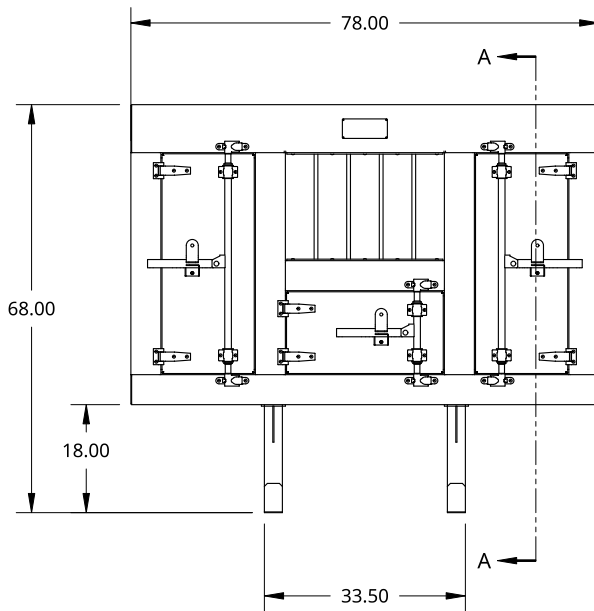
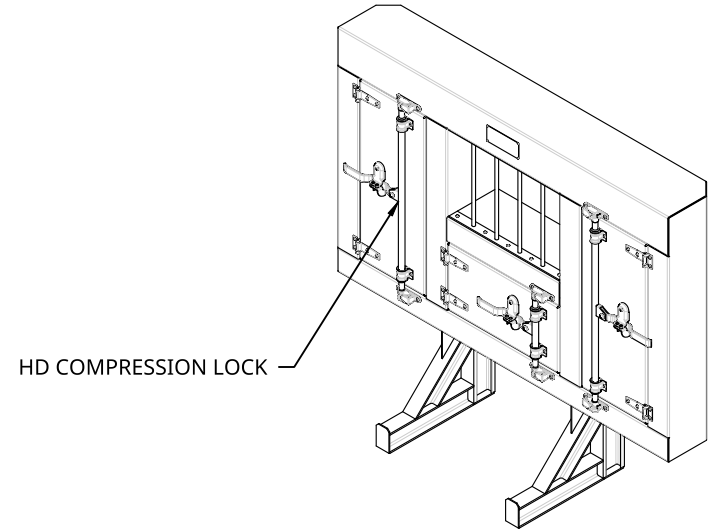
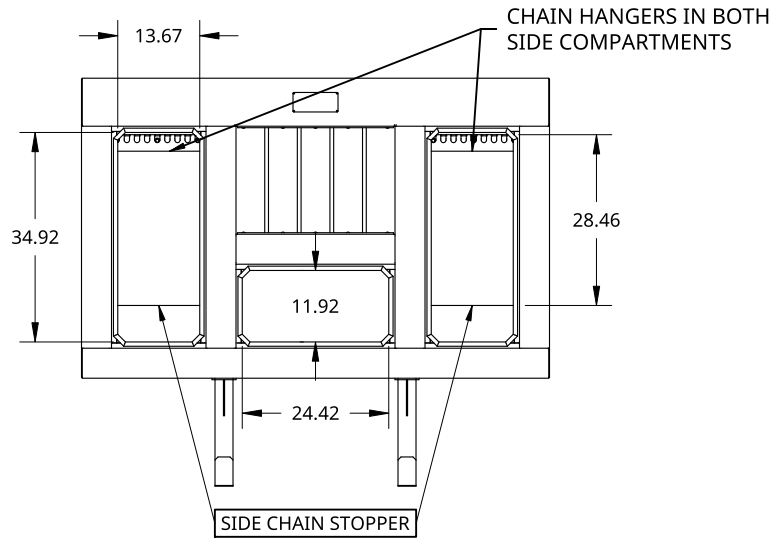


2

1

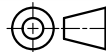


THIS DOCUMENT IS THE PROPERTY OF TREBOR MANUFACTURING. ANY UNAUTHORIZED REPRODUCTION WILL BE PROSECUTED TO THE FULL EXTENT OF THE LAW

UNLESS OTHERWISE SPECIFIED, DIMENSIONS ARE IN INCHES

.XX = ±.1-
.XXX = ±.015- ANGULAR = ±1°
.XXXX = ±.005- FRACTIONAL = ±1/8

THIRD ANGLE PROJECTION



DRAWN BY	SHAWN CROCKER	08/11/2021
CHANGED BY	SHAWN CROCKER	06/21/2023

MATERIAL
1/8 ALU MILL

PART NO. TR3DWPL6878P REV. A

STANDARD COMPARTMENT CAB SHIELD - THREE DOORS W/WINDOW - COMPRESSION LOCK - 68IN HIGH X 78IN WIDE

SIZE A DWG. NO. D31613 REV. A

SCALE 1:32	WEIGHT 294.85 LB	SHEET 1 of 1
------------	------------------	--------------

2

1

B

B

A

A