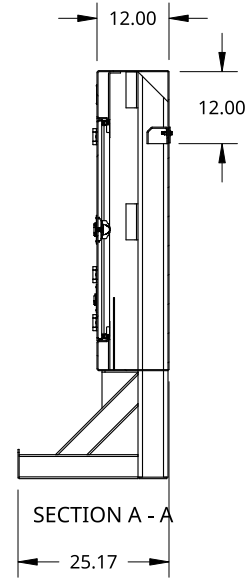
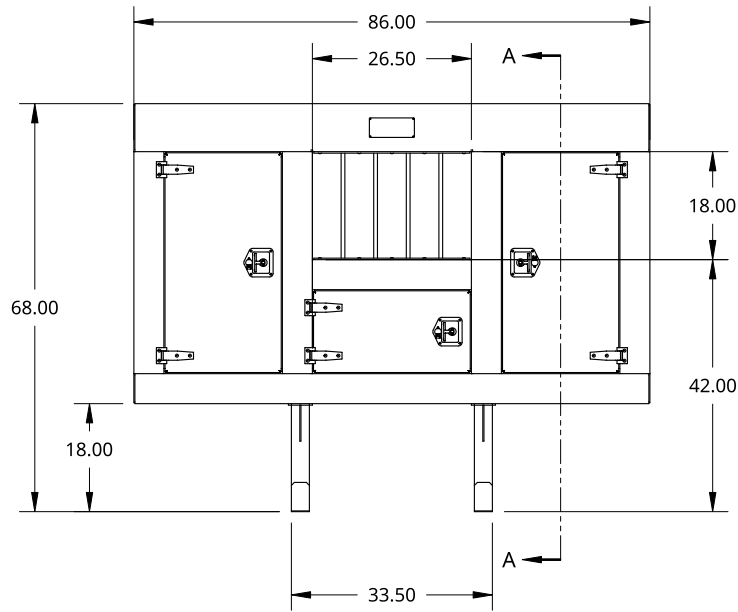
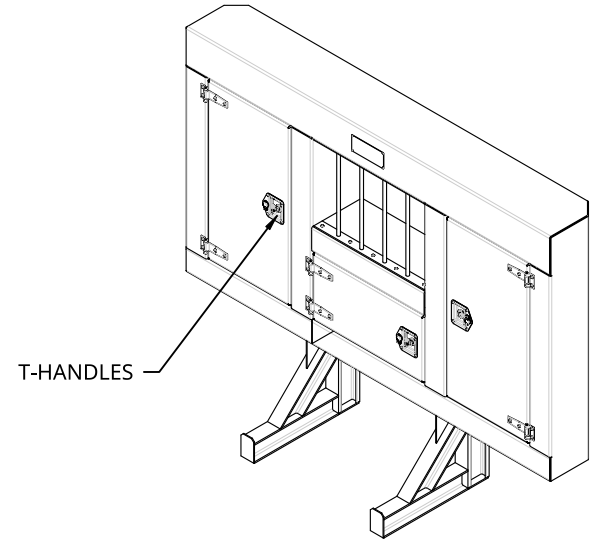
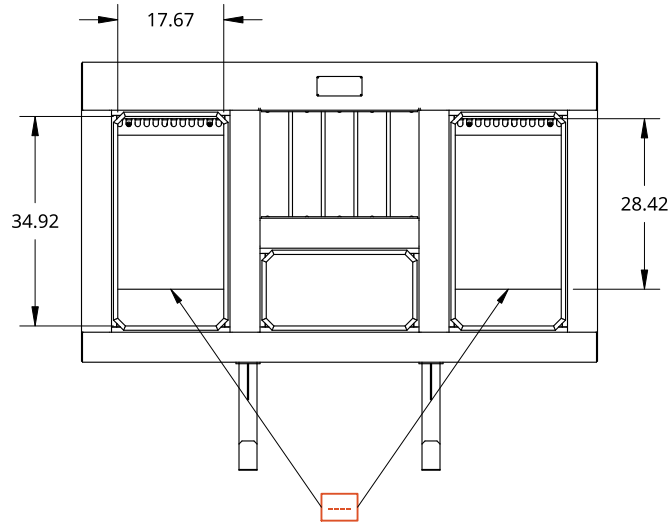


2

1

B

B



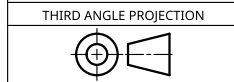
A

A

THIS DOCUMENT IS THE PROPERTY OF TREBOR MANUFACTURING. ANY UNAUTHORIZED REPRODUCTION WILL BE PROSECUTED TO THE FULL EXTENT OF THE LAW



UNLESS OTHERWISE SPECIFIED, DIMENSIONS ARE IN INCHES  
 .XX = ±.1-  
 .XXX = ±.015-  
 .XXXX = ±.005-  
 ANGULAR = ±1°  
 FRACTIONAL = ±1/8



DRAWN BY	SHAWN CROCKER	08/11/2021
CHANGED BY	SHAWN CROCKER	12/15/2022

MATERIAL  
 1/8 ALU CHECKER

PART NO. TR3DW6886 REV. C

STANDARD COMPARTMENT CAB SHIELD - THREE DOORS W/WINDOW - T-HANDLE - 68IN HIGH X 86IN WIDE

SIZE	DWG. NO.	REV.
A	D4709	C
SCALE	WEIGHT	SHEET
1:32	295.03 lb	1 of 1

2

1