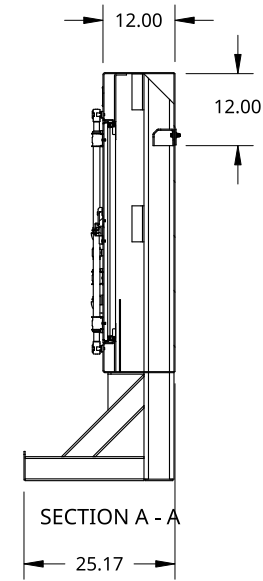
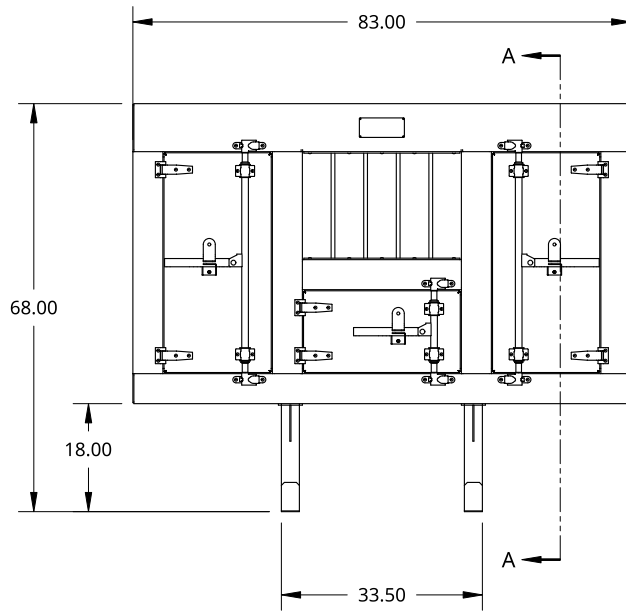
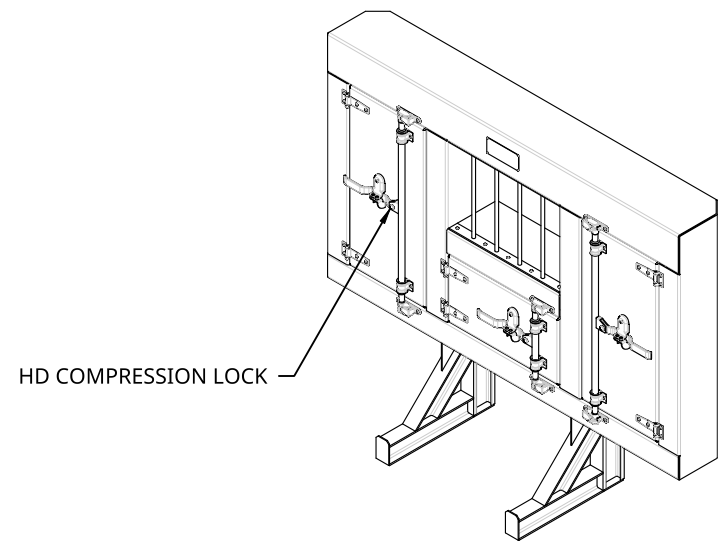
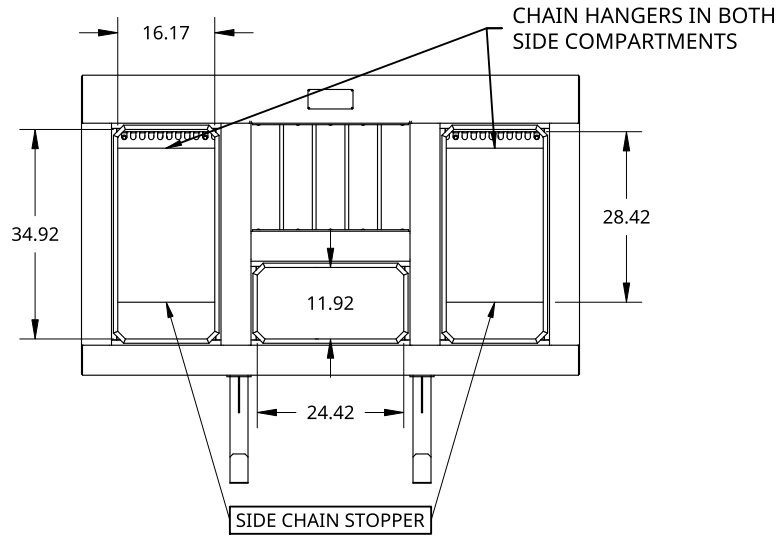


2

1

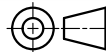


THIS DOCUMENT IS THE PROPERTY OF TREBOR MANUFACTURING. ANY UNAUTHORIZED REPRODUCTION WILL BE PROSECUTED TO THE FULL EXTENT OF THE LAW

UNLESS OTHERWISE SPECIFIED, DIMENSIONS ARE IN INCHES

.XX = ±.1-  
.XXX = ±.015- ANGULAR = ±1°  
.XXXX = ±.005- FRACTIONAL = ±1/8

THIRD ANGLE PROJECTION



DRAWN BY	SHAWN CROCKER	08/11/2021
CHANGED BY	SHAWN CROCKER	06/21/2023

MATERIAL  
1/8 ALU CHECKER

PART NO. TR3DW6883P

STANDARD COMPARTMENT CAB SHIELD - THREE DOORS W/WINDOW - COMPRESSION LOCK - 68IN HIGH X 83IN WIDE

SIZE A DWG NO. D31603

SCALE 1:32 WEIGHT 317.85 LB SHEET 1 of 1

2

1

B

B

A

A

REV. B

REV. A