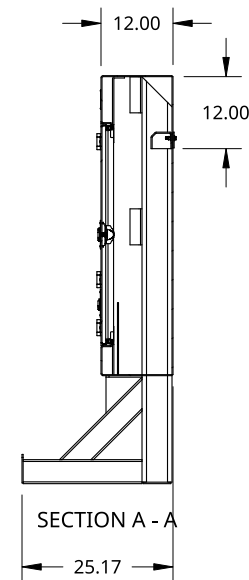
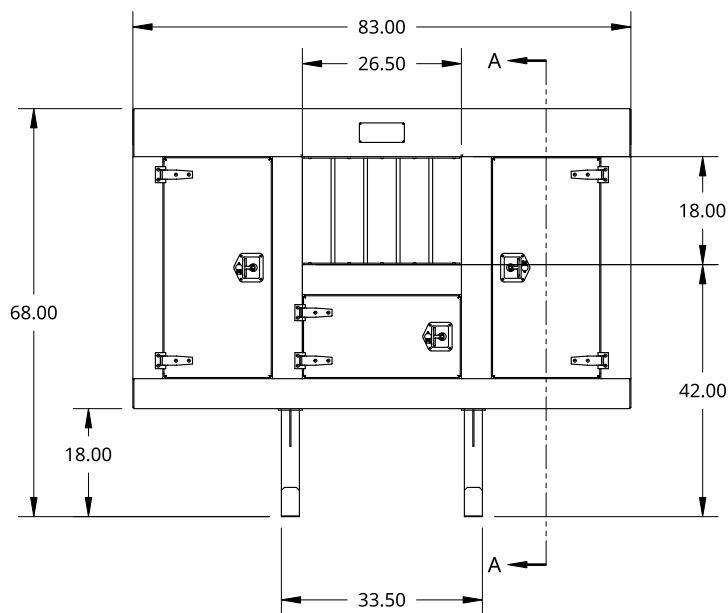
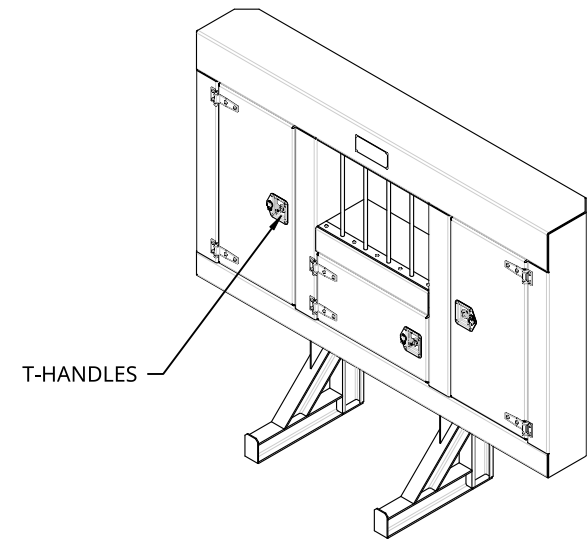
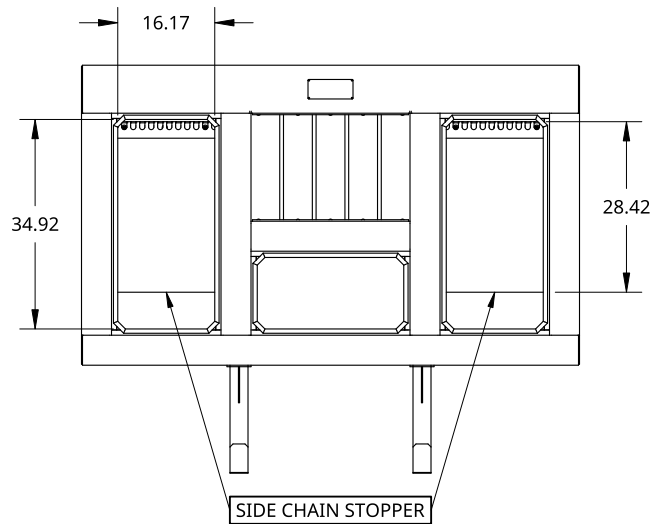


2

1



B

B

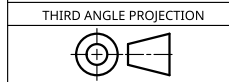
A

A

THIS DOCUMENT IS THE PROPERTY OF TREBOR MANUFACTURING. ANY UNAUTHORIZED REPRODUCTION WILL BE PROSECUTED TO THE FULL EXTENT OF THE LAW



UNLESS OTHERWISE SPECIFIED, DIMENSIONS ARE IN INCHES
 .XX = ±.1-
 .XXX = ±.015- ANGULAR = ±1°
 .XXXX = ±.005- FRACTIONAL = ±1/8



DRAWN BY	SHAWN CROCKER	08/11/2021
CHANGED BY	SHAWN CROCKER	12/15/2022

MATERIAL
 1/8 ALU CHECKER

PART NO. TR3DW6883TR3DW6883 REV. C

STANDARD COMPARTMENT CAB SHIELD - THREE DOORS W/WINDOW - T-HANDLE - 68IN HIGH X 83IN WIDE

SIZE	DWG NO.	REV.
A	D4704	C
SCALE	WEIGHT	SHEET
1:32	286.27 lb	1 of 1

2

1