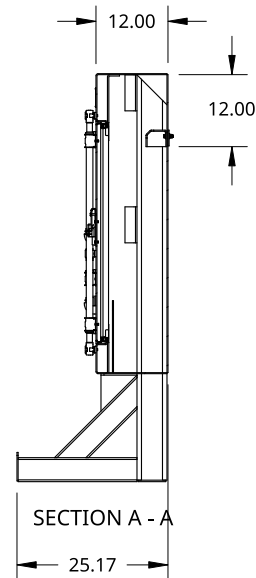
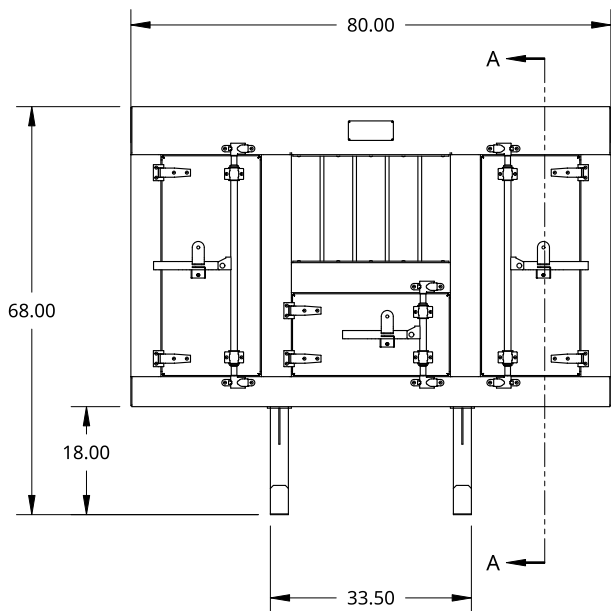
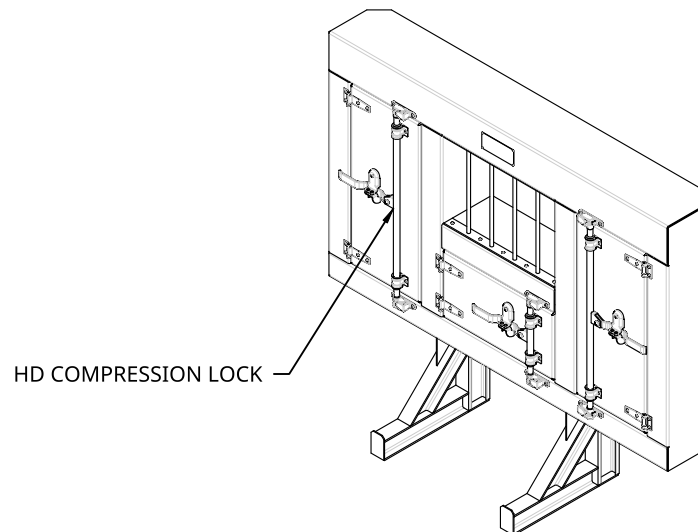
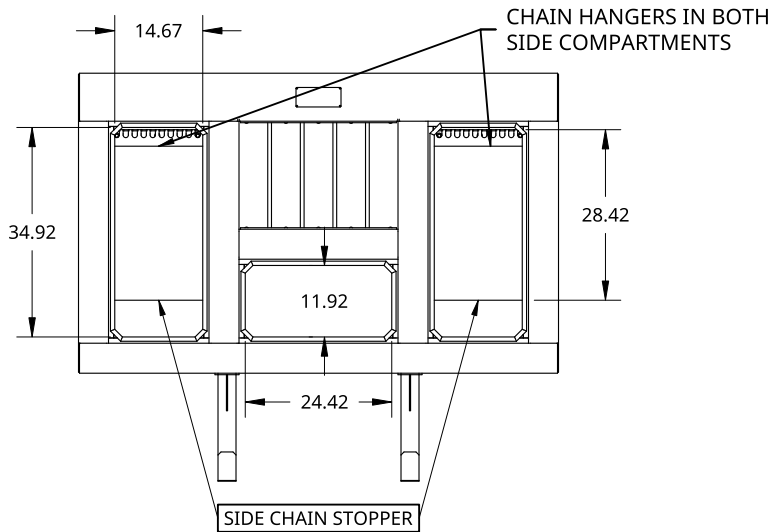


2

1



B

B

A

A

THIS DOCUMENT IS THE PROPERTY OF TREBOR MANUFACTURING. ANY UNAUTHORIZED REPRODUCTION WILL BE PROSECUTED TO THE FULL EXTENT OF THE LAW

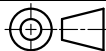


UNLESS OTHERWISE SPECIFIED, DIMENSIONS ARE IN INCHES

.XX = ±.1-  
.XXX = ±.015-  
.XXXX = ±.005-

ANGULAR = ±1°  
FRACTIONAL = ±1/8

THIRD ANGLE PROJECTION



MATERIAL  
1/8 ALU CHECKER

PART NO.		TR3DW6880P		REV.	A
STANDARD COMPARTMENT CAB SHIELD - THREE DOORS W/WINDOW - COMPRESSION LOCK - 68IN HIGH X 80IN WIDE					
SIZE	A	DWG. NO.	D31602		REV.
SCALE	1:32	WEIGHT	312.1 LB	SHEET	1 of 1

2

1