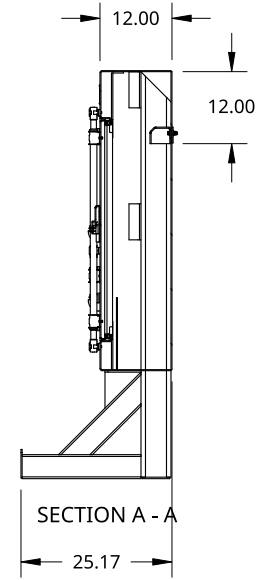
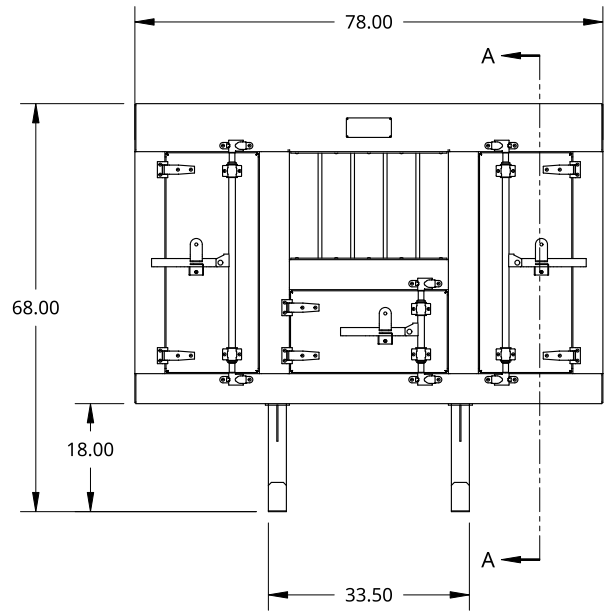
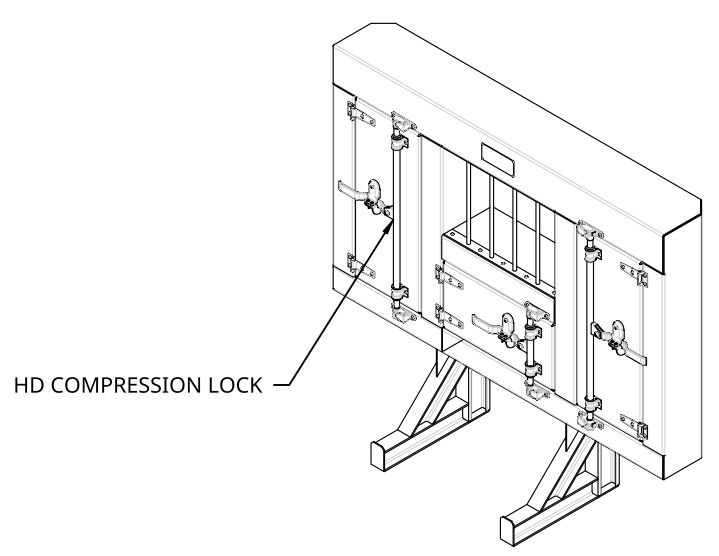
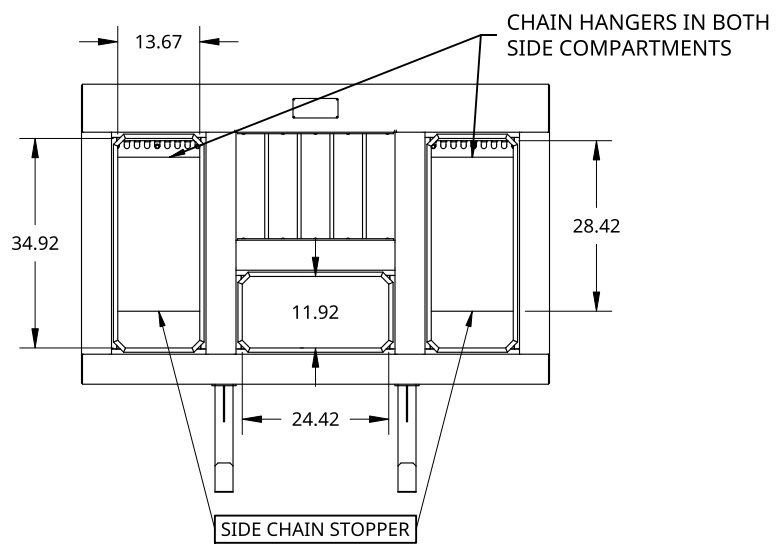


2

1



B

B

A

A

THIS DOCUMENT IS THE PROPERTY OF TREBOR MANUFACTURING. ANY UNAUTHORIZED REPRODUCTION WILL BE PROSECUTED TO THE FULL EXTENT OF THE LAW



PART NO. TR3DW6878P

REV. B

UNLESS OTHERWISE SPECIFIED, DIMENSIONS ARE IN INCHES  
 .XX = ±.1-  
 .XXX = ±.015-  
 .XXXX = ±.005-  
 ANGULAR = ±1°  
 FRACTIONAL = ±1/8

DRAWN BY	SHAWN CROCKER	08/11/2021
CHANGED BY	SHAWN CROCKER	06/21/2023

STANDARD COMPARTMENT CAB SHIELD - THREE DOORS W/WINDOW - COMPRESSION LOCK - 68IN HIGH X 78IN WIDE

THIRD ANGLE PROJECTION

MATERIAL

SIZE	A	DWG. NO.	D31601	REV.	A
------	---	----------	--------	------	---



1/8 ALU CHECKER

SCALE	1:32	WEIGHT	307.56 LB	SHEET	1 of 1
-------	------	--------	-----------	-------	--------

2

1