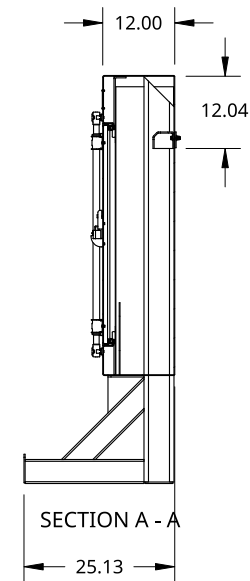
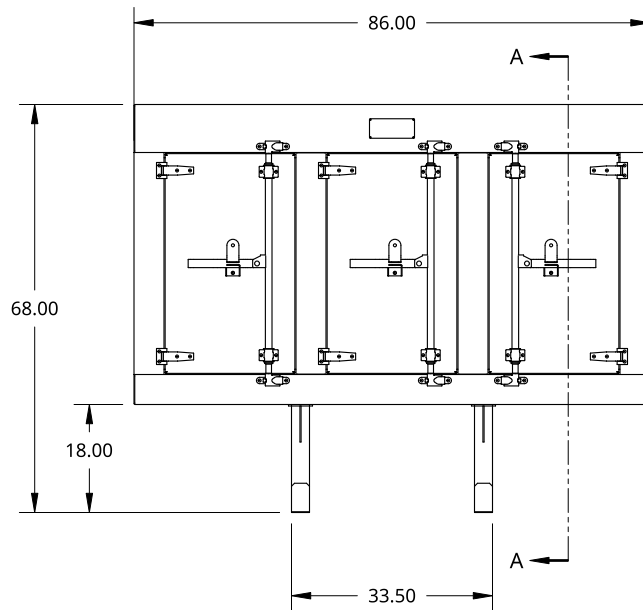
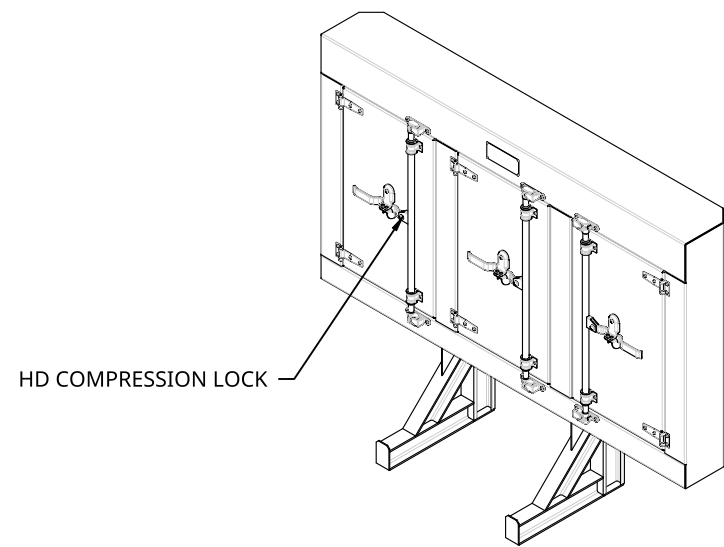
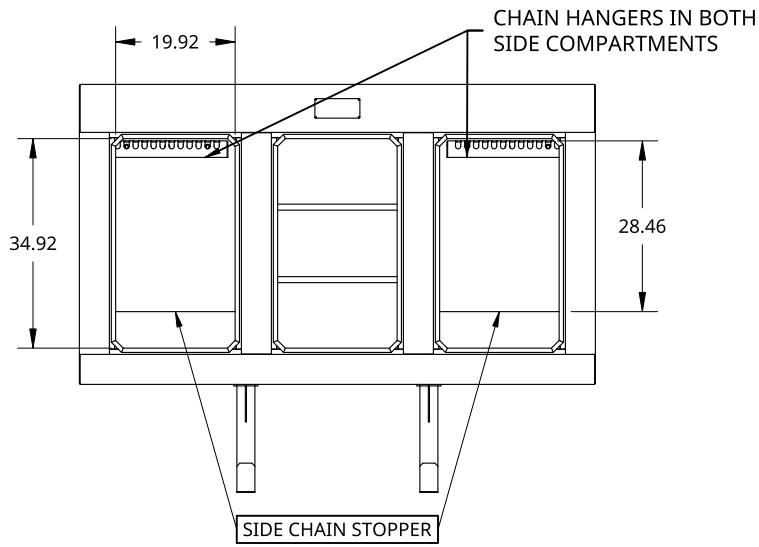


2

1



B

B

A

A

THIS DOCUMENT IS THE PROPERTY OF TREBOR MANUFACTURING. ANY UNAUTHORIZED REPRODUCTION WILL BE PROSECUTED TO THE FULL EXTENT OF THE LAW



PART NO. TR3DPL6886P REV. C

UNLESS OTHERWISE SPECIFIED, DIMENSIONS ARE IN INCHES

.XX = ±.1- ANGULAR = ±1°  
 .XXX = ±.015- FRACTIONAL = ±1/8  
 .XXXX = ±.005-

DRAWN BY	SHAWN CROCKER	08/11/2021
CHANGED BY	SHAWN CROCKER	06/20/2023

STANDARD COMPARTMENT CAB SHIELD - THREE DOORS - COMPRESSION LOCK - 68IN HIGH X 86IN WIDE

THIRD ANGLE PROJECTION

MATERIAL

SIZE A DWG NO. D31585 REV. A



1/8 ALU MILL

SCALE	1:32	WEIGHT	318.23 LB	SHEET	1 of 1
-------	------	--------	-----------	-------	--------

2

1