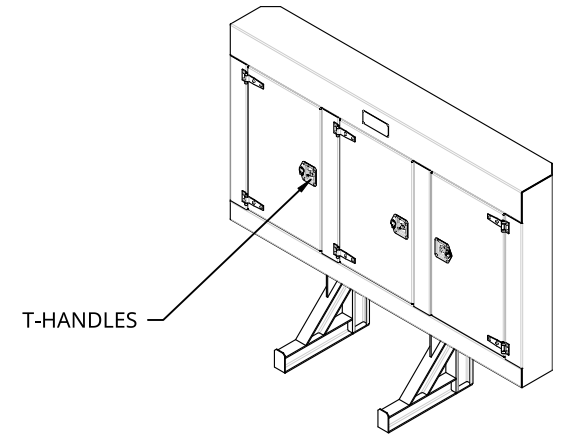
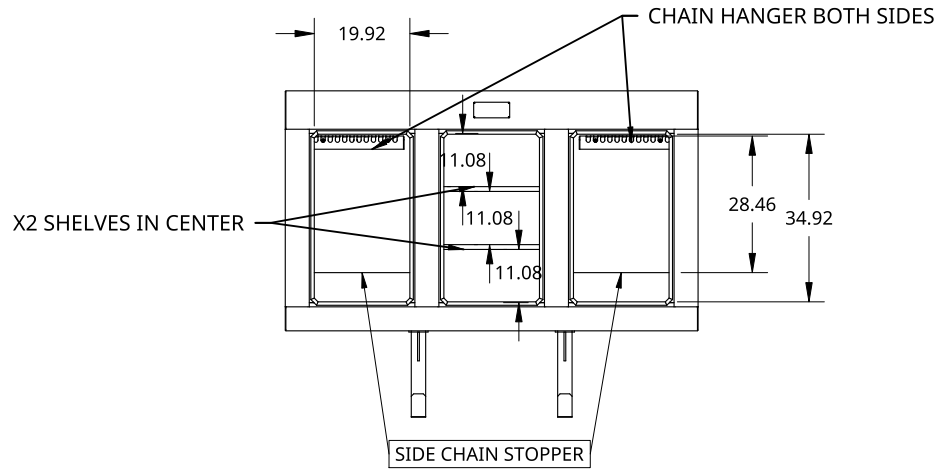


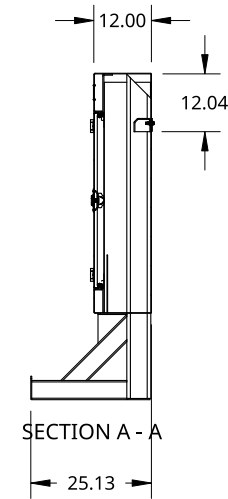
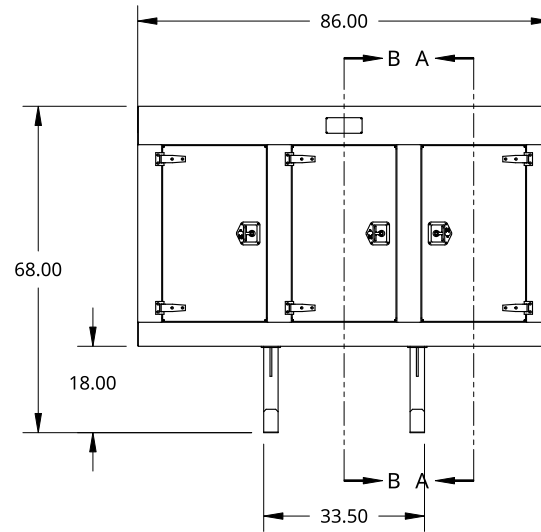
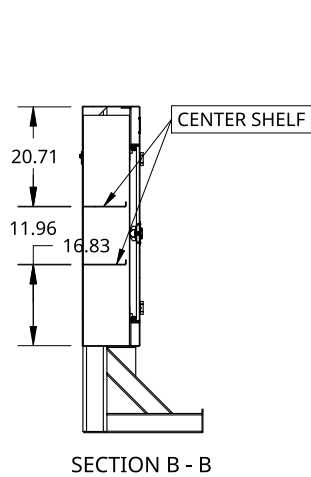
2

1



B

B



A

A

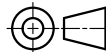
THIS DOCUMENT IS THE PROPERTY OF TREBOR MANUFACTURING. ANY UNAUTHORIZED REPRODUCTION WILL BE PROSECUTED TO THE FULL EXTENT OF THE LAW

UNLESS OTHERWISE SPECIFIED, DIMENSIONS ARE IN INCHES

.XX = ±.1-
.XXX = ±.015-
.XXXX = ±.005-

ANGULAR = ±1°
FRACTIONAL = ±1/8

THIRD ANGLE PROJECTION



DRAWN SHAWN CROCKER 08/11/2021

MATERIAL 1/8 ALU MILL

PART NO. TR3DPL6886 REV. A

STANDARD COMPARTMENT CAB SHIELD - THREE DOORS - T-HANDLE - 68IN HIGH X 86IN WIDE

SIZE A DWG NO. D10100 REV. A

SCALE 1:40 WEIGHT 288.34 LB SHEET 1 of 1

2

1