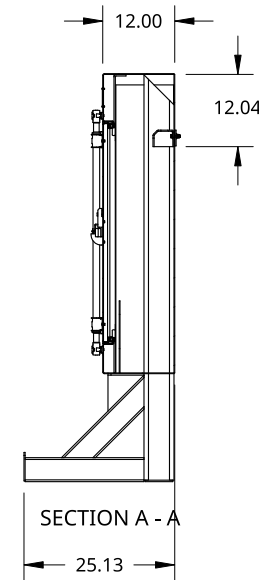
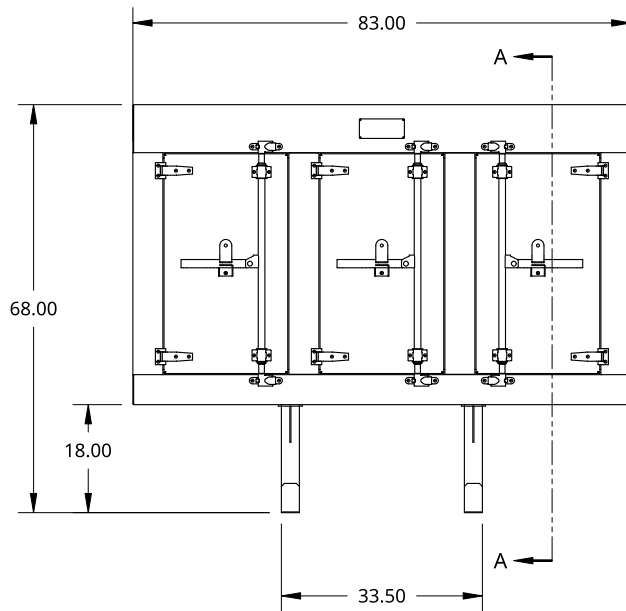
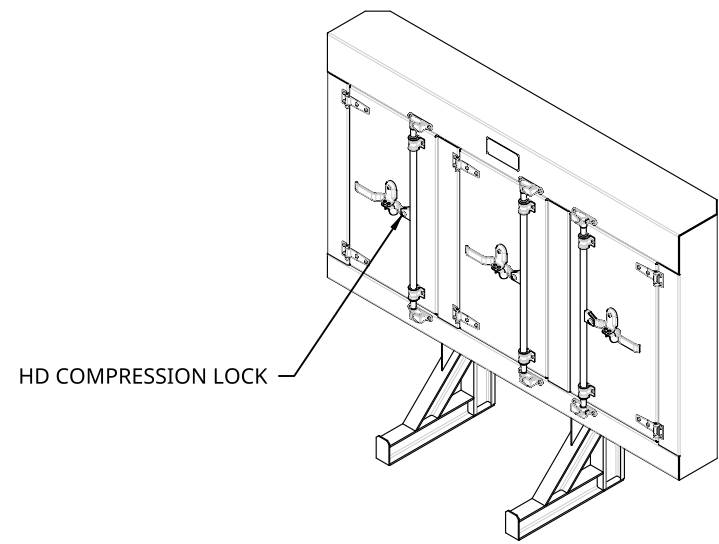
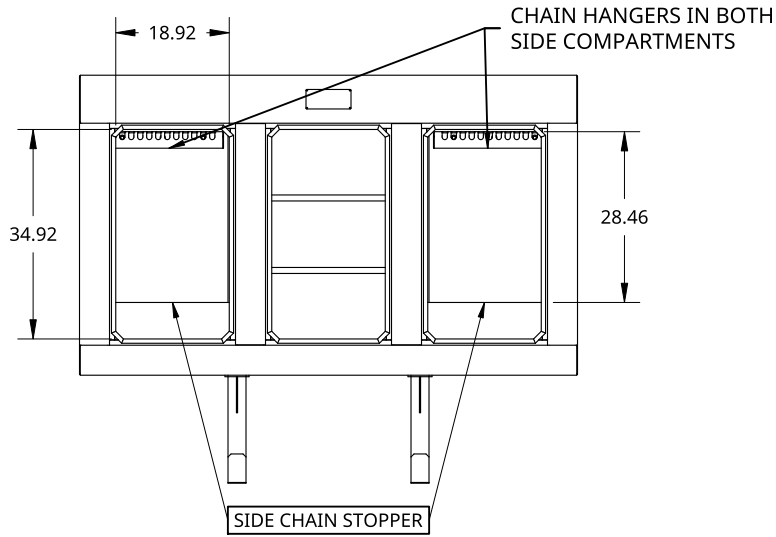


2

1

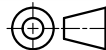


THIS DOCUMENT IS THE PROPERTY OF TREBOR MANUFACTURING. ANY UNAUTHORIZED REPRODUCTION WILL BE PROSECUTED TO THE FULL EXTENT OF THE LAW

UNLESS OTHERWISE SPECIFIED, DIMENSIONS ARE IN INCHES

.XX = ±.1-  
.XXX = ±.015- ANGULAR = ±1°  
.XXXX = ±.005- FRACTIONAL = ±1/8

THIRD ANGLE PROJECTION



DRAWN BY	SHAWN CROCKER	08/11/2021
CHANGED BY	SHAWN CROCKER	06/20/2023

MATERIAL  
1/8 ALU MILL

PART NO. TR3DPL6883P REV. B

STANDARD COMPARTMENT CAB SHIELD - THREE DOORS - COMPRESSION LOCK - 68IN HIGH X 83IN WIDE

SIZE A DWG. NO. D31584 REV. A

SCALE 1:32	WEIGHT 312.92 LB	SHEET 1 of 1
------------	------------------	--------------

2

1

B

B

A

A