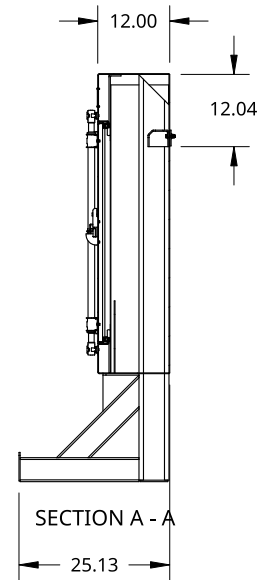
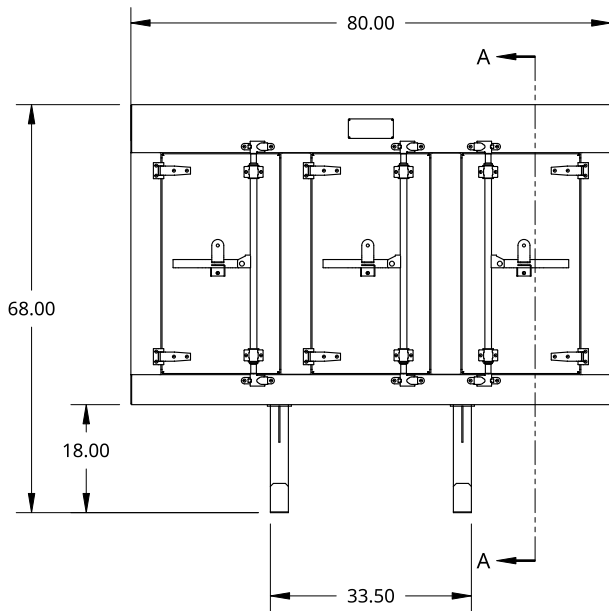
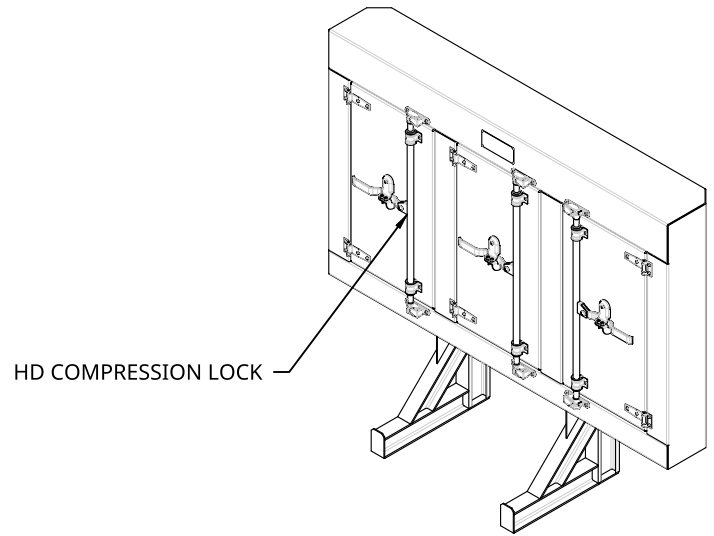
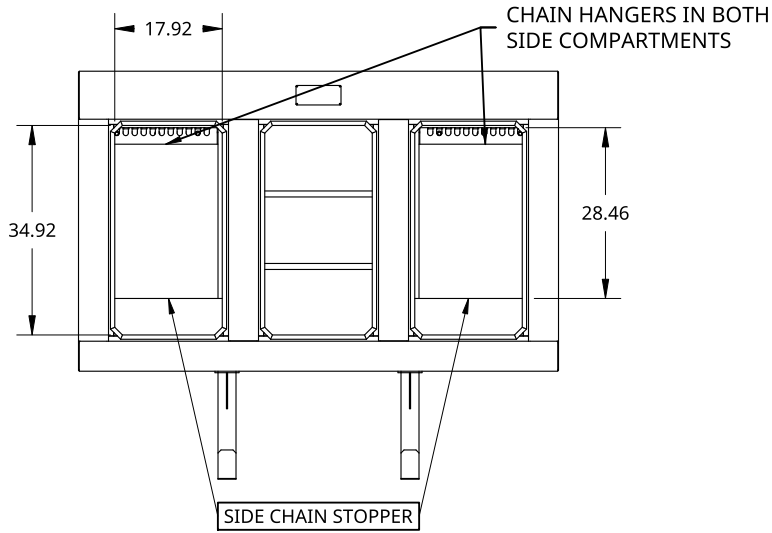


2

1



B

B

A

A

THIS DOCUMENT IS THE PROPERTY OF TREBOR MANUFACTURING. ANY UNAUTHORIZED REPRODUCTION WILL BE PROSECUTED TO THE FULL EXTENT OF THE LAW



UNLESS OTHERWISE SPECIFIED, DIMENSIONS ARE IN INCHES

.XX = ±.1-
.XXX = ±.015- ANGULAR = ±1°
.XXXX = ±.005- FRACTIONAL = ±1/8

THIRD ANGLE PROJECTION



DRAWN BY	SHAWN CROCKER	06/16/2023
CHANGED BY	SHAWN CROCKER	06/20/2023

MATERIAL
1/8 ALU MILL

PART NO. TR3DPL6880P REV. A

STANDARD COMPARTMENT CAB SHIELD - THREE DOORS - COMPRESSION LOCK - 68IN HIGH X 80IN WIDE

SIZE A DWG NO. D31583 REV. A

SCALE 1:32 WEIGHT 307.6 LB SHEET 1 of 1

2

1