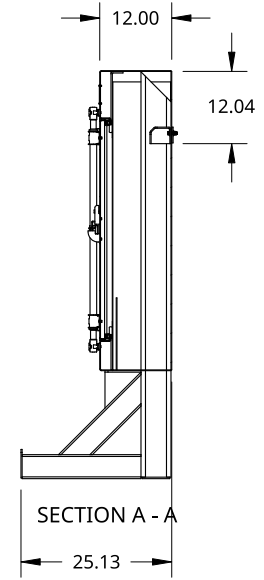
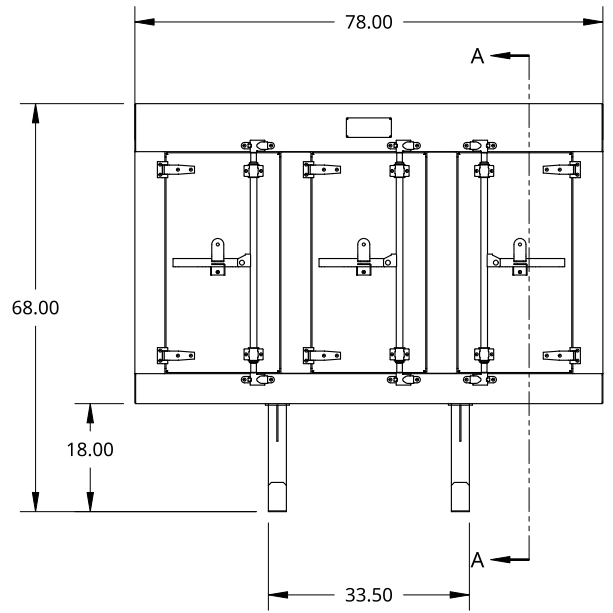
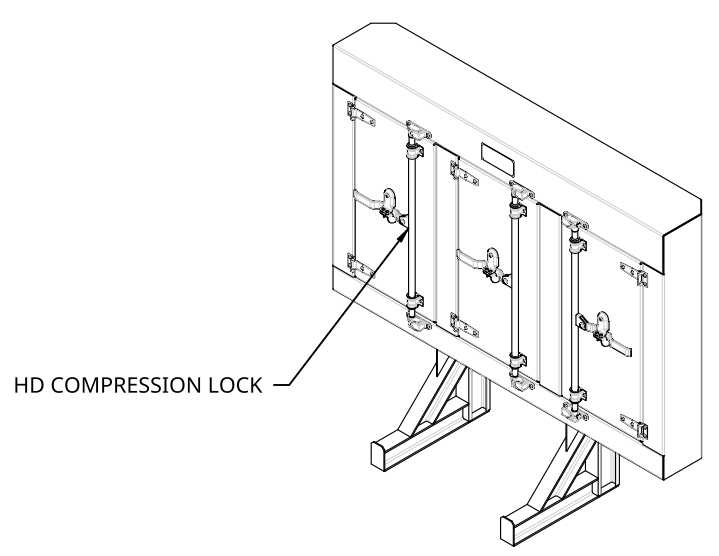
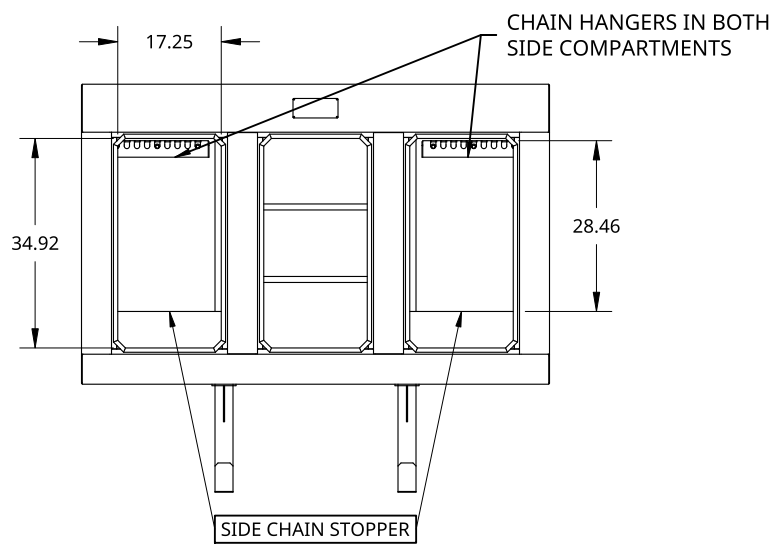


2

1



B

B

A

A

THIS DOCUMENT IS THE PROPERTY OF TREBOR MANUFACTURING. ANY UNAUTHORIZED REPRODUCTION WILL BE PROSECUTED TO THE FULL EXTENT OF THE LAW

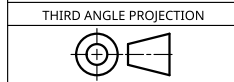


PART NO. **TR3DPL6878P** REV. **B**

UNLESS OTHERWISE SPECIFIED, DIMENSIONS ARE IN INCHES
 .XX = ±.1-
 .XXX = ±.015-
 .XXXX = ±.005-
 ANGULAR = ±1°
 FRACTIONAL = ±1/8

DRAWN BY	SHAWN CROCKER	08/11/2021
CHANGED BY	SHAWN CROCKER	06/20/2023

STANDARD COMPARTMENT CAB SHIELD - THREE DOORS - COMPRESSION LOCK - 68IN HIGH X 78IN WIDE



MATERIAL
1/8 ALU MILL

SIZE **A** DWG. NO. **D31582** REV. **A**

SCALE	1:32	WEIGHT	303.35 LB	SHEET	1 of 1
-------	------	--------	-----------	-------	--------

2

1