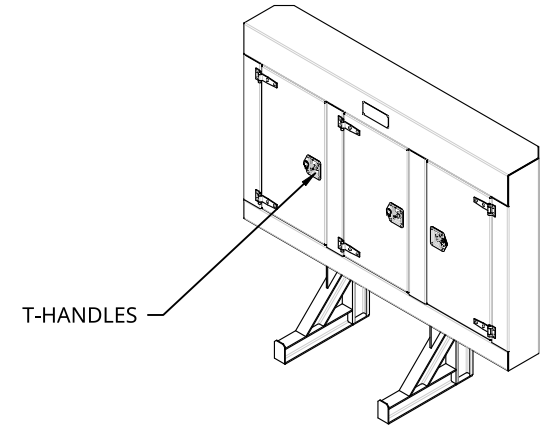
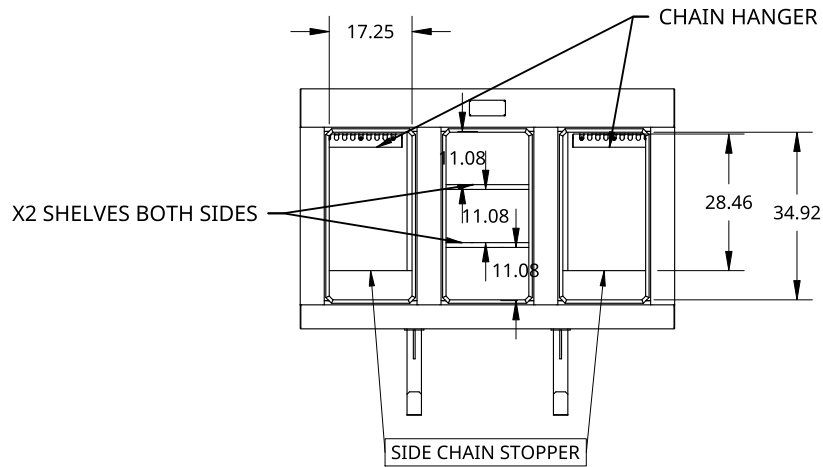


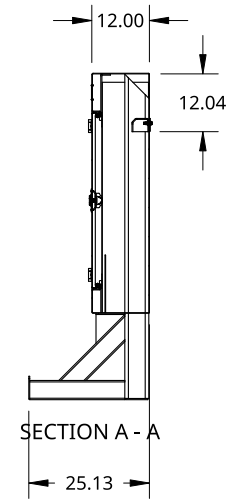
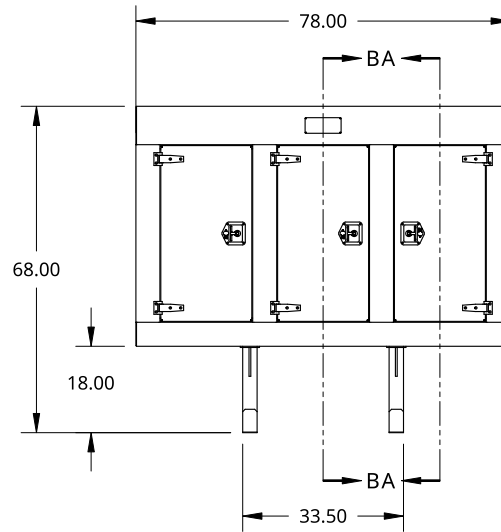
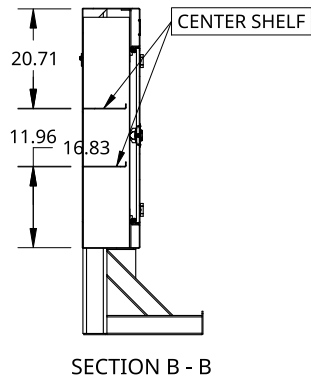
2

1



B

B



A

A

<small>THIS DOCUMENT IS THE PROPERTY OF TREBOR MANUFACTURING. ANY UNAUTHORIZED REPRODUCTION WILL BE PROSECUTED TO THE FULL EXTENT OF THE LAW</small>				PART NO. TR3DPL6878	REV. A1
<small>UNLESS OTHERWISE SPECIFIED, DIMENSIONS ARE IN INCHES .XX = ±.1- .XXX = ±.015- .XXXX = ±.005- ANGULAR = ±1° FRACTIONAL = ±1/8</small>		DRAWN SHAWN CROCKER	08/11/2021	STANDARD COMPARTMENT CAB SHIELD - THREE DOORS - T-HANDLE - 68IN HIGH X 78IN WIDE	
THIRD ANGLE PROJECTION 		MATERIAL 1/8 ALU MILL		SIZE A	DWG. NO. D10098
		SCALE 1:40	WEIGHT 273.43 LB	SHEET 1 of 1	REV. A

2

1