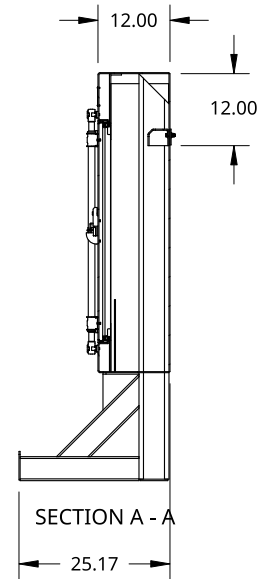
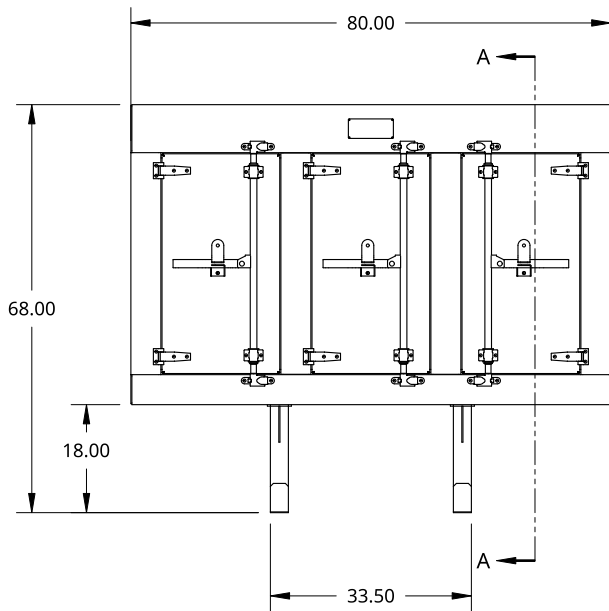
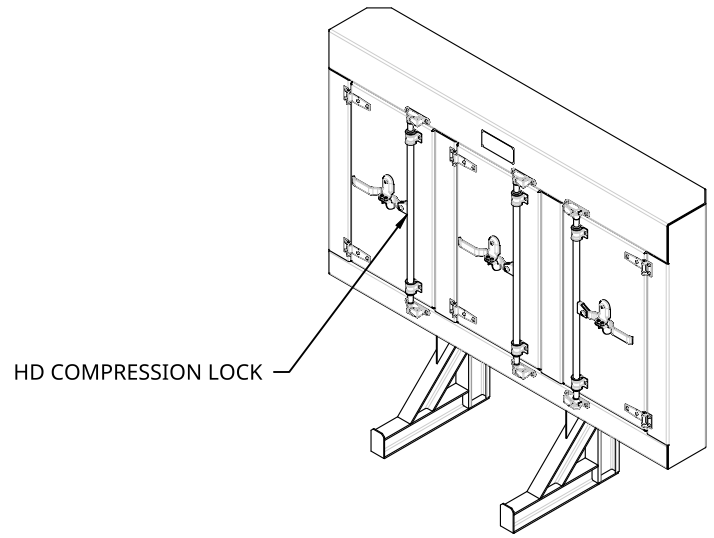
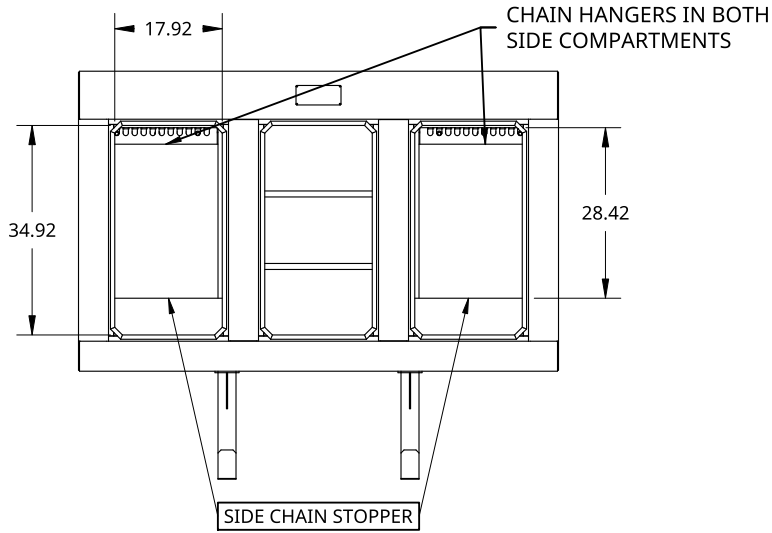


2

1



B

B

A

A

THIS DOCUMENT IS THE PROPERTY OF TREBOR MANUFACTURING. ANY UNAUTHORIZED REPRODUCTION WILL BE PROSECUTED TO THE FULL EXTENT OF THE LAW



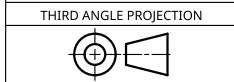
PART NO. TR3D6880P

REV. A

UNLESS OTHERWISE SPECIFIED, DIMENSIONS ARE IN INCHES  
 .XX = ±.1-  
 .XXX = ±.015- ANGULAR = ±1°  
 .XXXX = ±.005- FRACTIONAL = ±1/8

DRAWN BY	SHAWN CROCKER	06/16/2023
CHANGED BY	SHAWN CROCKER	06/20/2023

STANDARD COMPARTMENT CAB SHIELD - THREE DOORS - COMPRESSION LOCK - 68IN HIGH X 80IN WIDE



MATERIAL  
 1/8 ALU CHECKER

SIZE A DWG. NO. D31587

REV. A

SCALE	1:32	WEIGHT	321.79 LB	SHEET	1 of 1
-------	------	--------	-----------	-------	--------

2

1