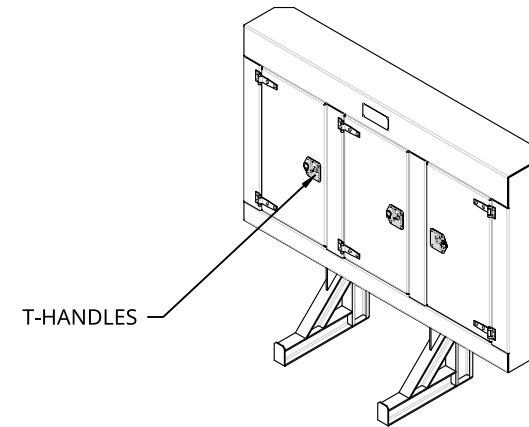
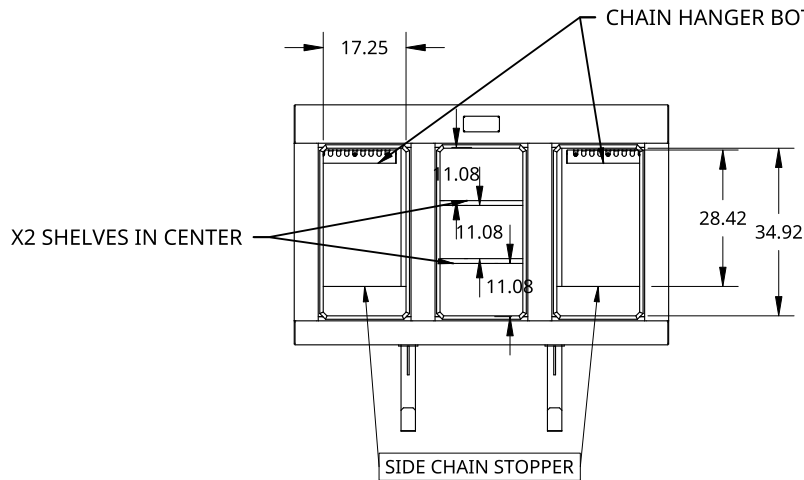


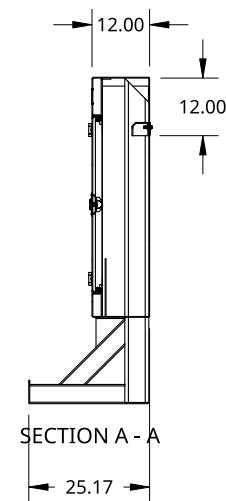
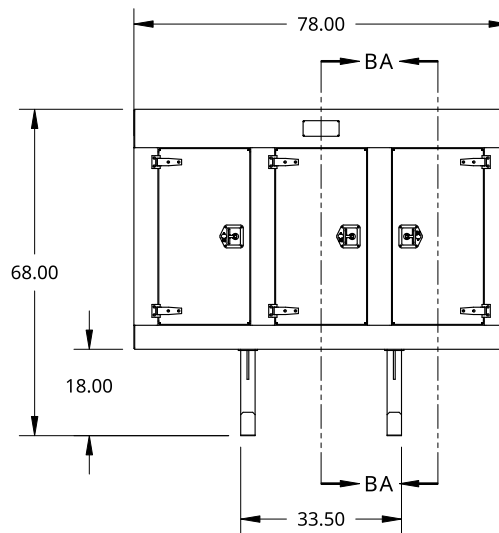
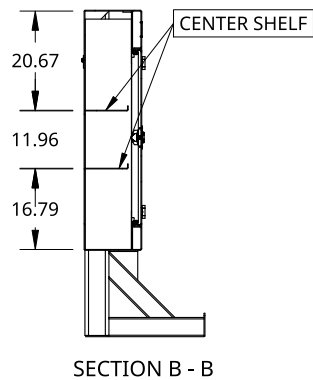
2

1



B

B



A

A

THIS DOCUMENT IS THE PROPERTY OF TREBOR MANUFACTURING. ANY UNAUTHORIZED REPRODUCTION WILL BE PROSECUTED TO THE FULL EXTENT OF THE LAW

UNLESS OTHERWISE SPECIFIED, DIMENSIONS ARE IN INCHES

.XX = ±.1-  
.XXX = ±.015-  
.XXXX = ±.005-

ANGULAR = ±1°  
FRACTIONAL = ±1/8

THIRD ANGLE PROJECTION



DRAWN SHAWN CROCKER 08/11/2021

MATERIAL 1/8 ALU CHECKER

PART NO. TR3D6878 REV. A1

STANDARD COMPARTMENT CAB SHIELD - THREE DOORS - T-HANDLE - 68IN HIGH X 78IN WIDE

SIZE A DWG NO. D10095 REV. A

SCALE 1:40 WEIGHT 286.67 LB SHEET 1 of 1

2

1