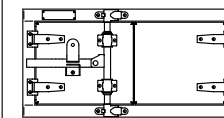


2

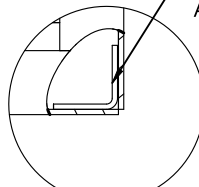
1

OTHER DOOR OPTIONS

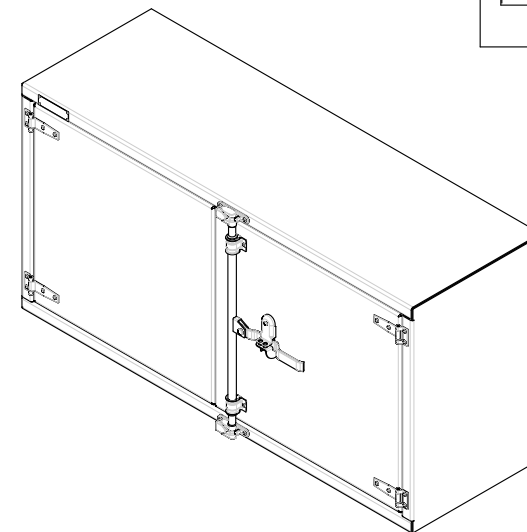


OPEN LEFT

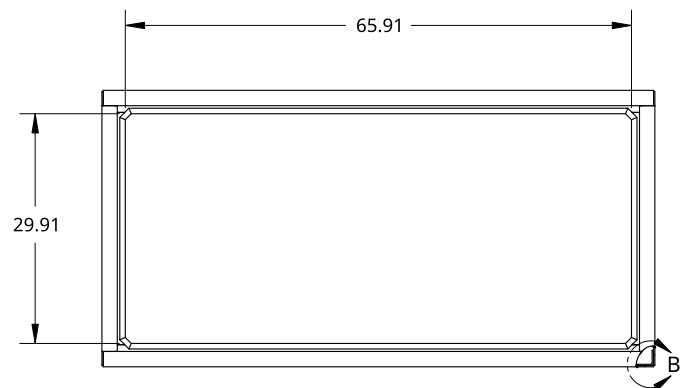
INNER REINFORCEMENT
ANGLE BOTH SIDES



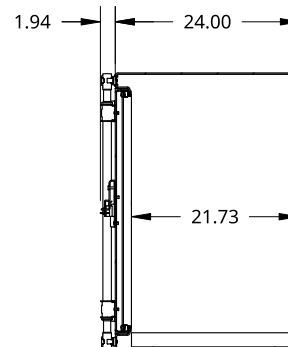
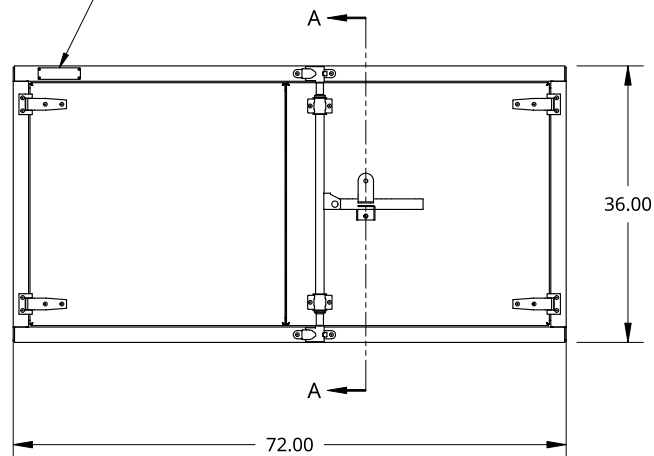
DETAIL B
SCALE 1:6



B



SMALL SIZE TREBOR NAME PLATE



SECTION A - A

A

THIS DOCUMENT IS THE PROPERTY OF TREBOR
MANUFACTURING. ANY UNAUTHORIZED REPRODUCTION
WILL BE PROSECUTED TO THE FULL EXTENT OF THE LAW

UNLESS OTHERWISE SPECIFIED,
DIMENSIONS ARE IN INCHES

.XX = ±.1-
.XXX = ±.015- ANGULAR = ±1°
.XXXX = ±.005- FRACTIONAL = ±1/8

THIRD ANGLE PROJECTION



DRAWN SHAWN CROCKER 09/29/2021

MATERIAL
1/8 ALU CHECKER

PART NO. TR3672P REV. A1

TWO DOOR RECESSED DOOR TOOL BOX - 24 X 36 X 72 - COMPRESSION
LOCK - OPEN RIGHT

SIZE A DWG NO. D5995 REV. A1

SCALE 1:25 WEIGHT 167.67 LB SHEET 1 of 1

2

1

B

A