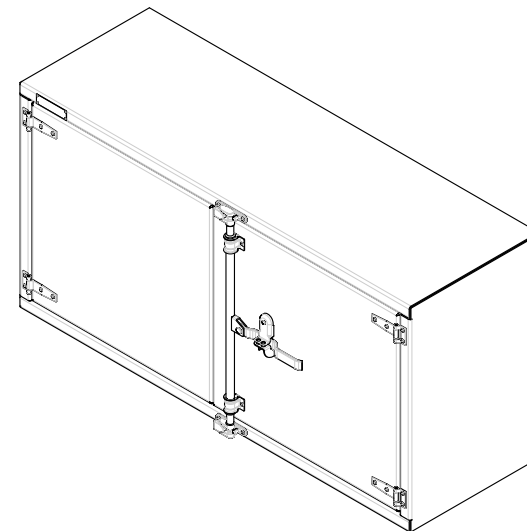
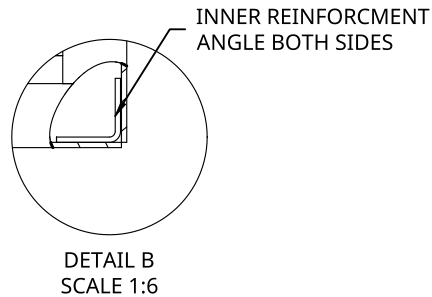
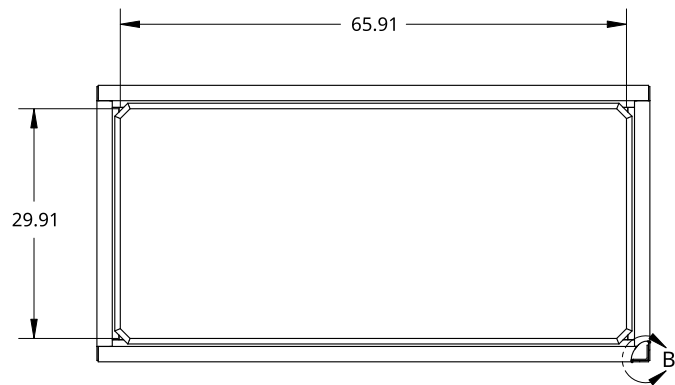


2

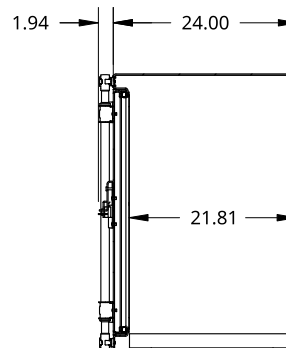
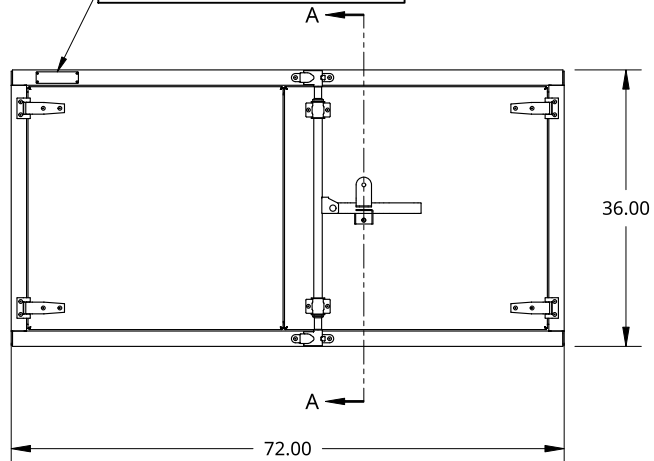
1

B



B

SMALL SIZE TREBOR NAME PLATE



SECTION A - A

A

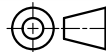
A

THIS DOCUMENT IS THE PROPERTY OF TREBOR MANUFACTURING. ANY UNAUTHORIZED REPRODUCTION WILL BE PROSECUTED TO THE FULL EXTENT OF THE LAW

UNLESS OTHERWISE SPECIFIED, DIMENSIONS ARE IN INCHES

.XX = ±.1- ANGULAR = ±1°
.XXX = ±.015- FRACTIONAL = ±1/8
.XXXX = ±.005-

THIRD ANGLE PROJECTION



DRAWN BY	SHAWN CROCKER	09/29/2021
CHANGED BY	RAUL MANRIQUE	08/02/2022

MATERIAL
1/8 ALU CHECKER

PART NO.	TR3672P	REV.	B
----------	---------	------	---

TWO DOOR RECESSED DOOR TOOL BOX - 24 X 36 X 72 - COMPRESSION LOCK - OPEN RIGHT

SIZE	A	DWG NO.	D5995	REV.	B
------	---	---------	-------	------	---

SCALE	1:25	WEIGHT	167.67 LB	SHEET	1 of 1
-------	------	--------	-----------	-------	--------

2

1