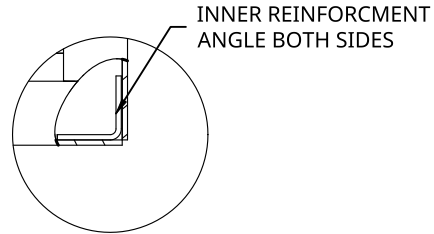
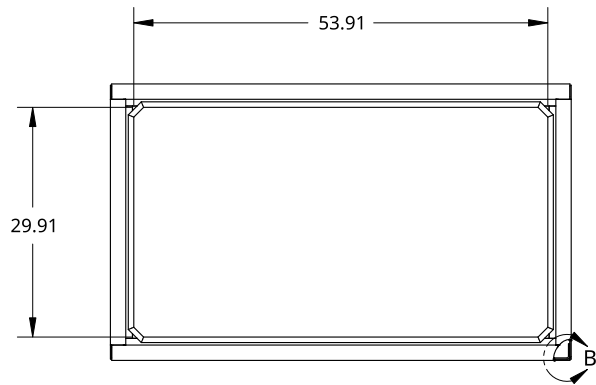


2

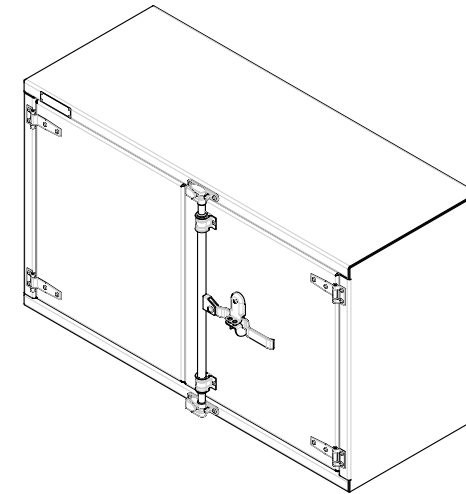
1

B

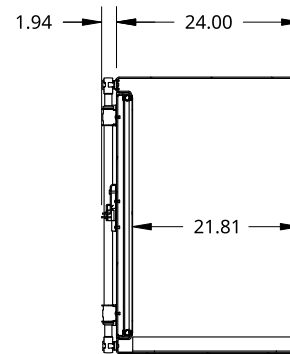
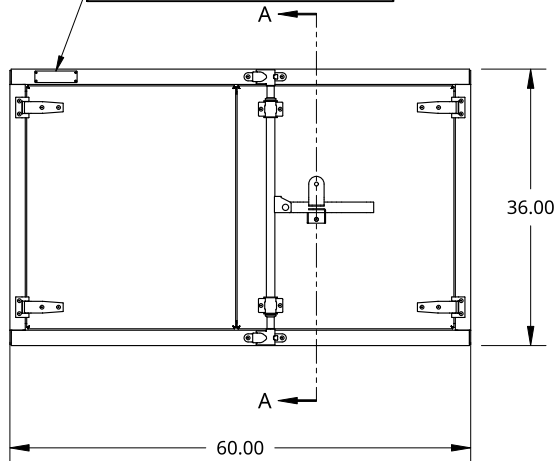
A



DETAIL B
SCALE 1:6



SMALL SIZE TREBOR NAME PLATE



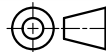
SECTION A - A

THIS DOCUMENT IS THE PROPERTY OF TREBOR
MANUFACTURING. ANY UNAUTHORIZED REPRODUCTION
WILL BE PROSECUTED TO THE FULL EXTENT OF THE LAW

UNLESS OTHERWISE SPECIFIED,
DIMENSIONS ARE IN INCHES

.XX = ±.1- ANGULAR = ±1°
.XXX = ±.015- FRACTIONAL = ±1/8
.XXXX = ±.005-

THIRD ANGLE PROJECTION



DRAWN BY	SHAWN CROCKER	09/29/2021
CHANGED BY	RAUL MANRIQUE	08/02/2022

MATERIAL
1/8 ALU CHECKER

PART NO.	TR3660P	REV.	B
----------	---------	------	---

TWO DOOR RECESSED DOOR TOOL BOX - 24 X 36 X 60 - COMPRESSION
LOCK - OPEN RIGHT

SIZE	A	DWG NO.	D5965	REV.	B
------	---	---------	-------	------	---

SCALE	1:25	WEIGHT	147.19 LB	SHEET	1 of 1
-------	------	--------	-----------	-------	--------

2

1