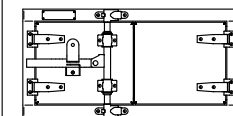


2

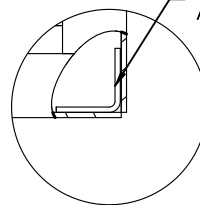
1

OTHER DOOR OPTIONS

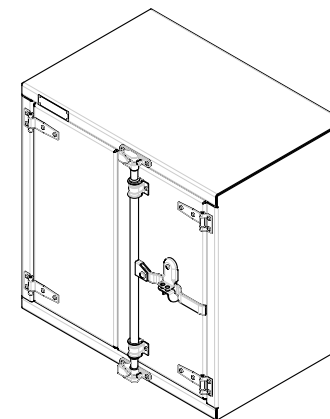
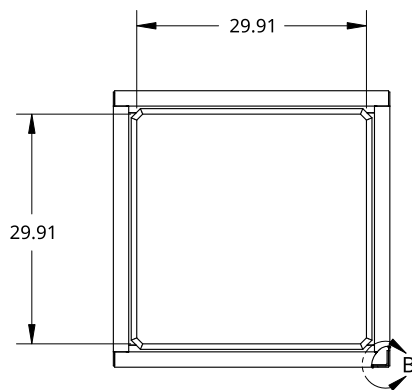


OPEN LEFT

INNER REINFORCEMENT
ANGLE BOTH SIDES

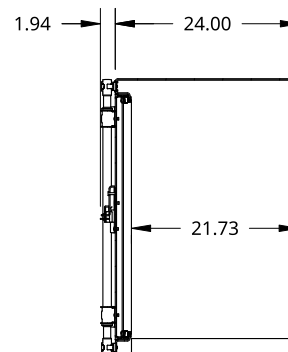
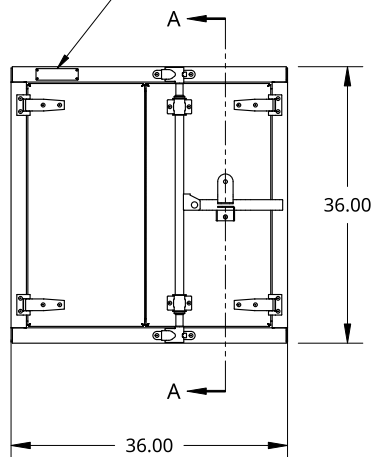


DETAIL B
SCALE 1:6





B

SMALL SIZE TREBOR NAME PLATE



SECTION A - A

A

<small>THIS DOCUMENT IS THE PROPERTY OF TREBOR MANUFACTURING. ANY UNAUTHORIZED REPRODUCTION WILL BE PROSECUTED TO THE FULL EXTENT OF THE LAW</small>				PART NO. TR3636P	REV. A1
<small>UNLESS OTHERWISE SPECIFIED, DIMENSIONS ARE IN INCHES .XX = ±.1- .XXX = ±.015- .XXXX = ±.005- ANGULAR = ±1° FRACTIONAL = ±1/8</small>		DRAWN SHAWN CROCKER	09/29/2021	TWO DOOR RECESSED DOOR TOOL BOX - 24 X 36 X 36 - COMPRESSION LOCK - OPEN RIGHT	
THIRD ANGLE PROJECTION 		MATERIAL 1/8 ALU CHECKER		SIZE A	DWG NO. D5896
		SCALE 1:25	WEIGHT 106.13 LB	SHEET 1 of 1	REV. A1

2

1

B

A