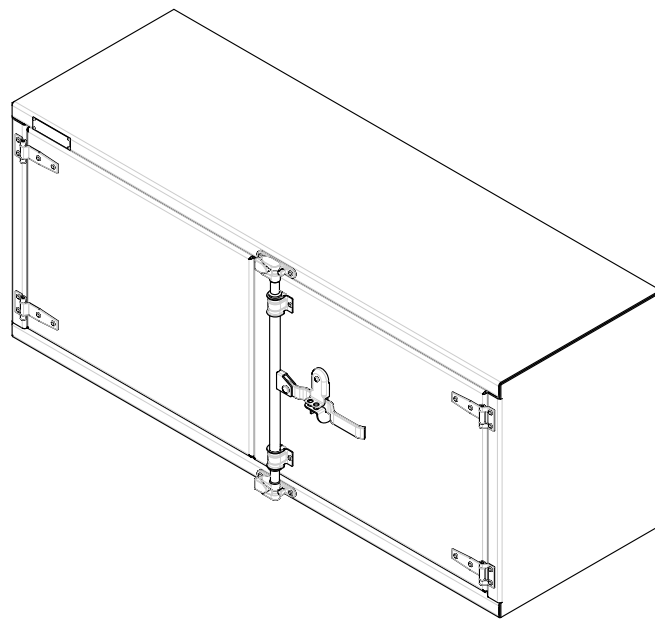
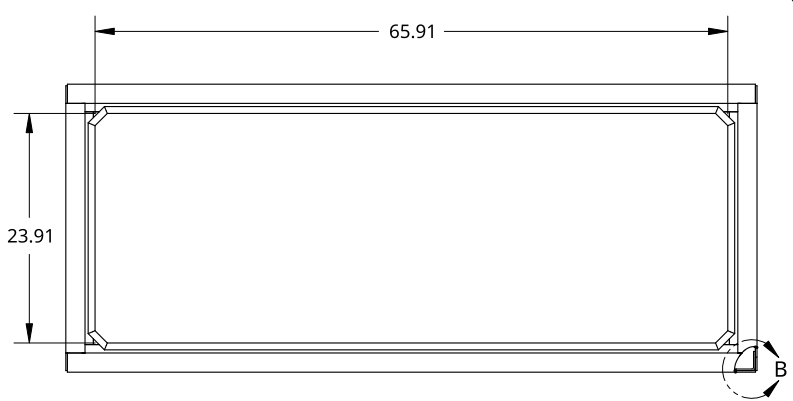
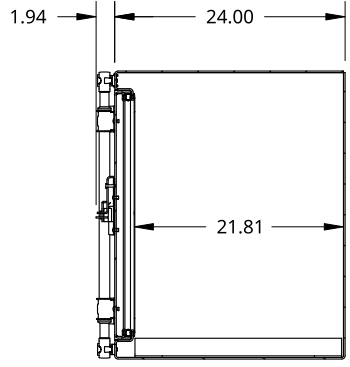
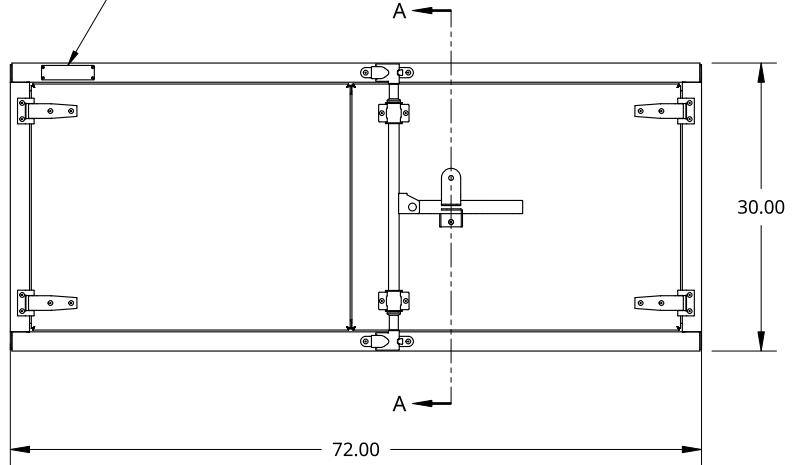


2

1



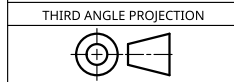
SMALL SIZE TREBOR NAME PLATE



SECTION A - A

THIS DOCUMENT IS THE PROPERTY OF TREBOR MANUFACTURING. ANY UNAUTHORIZED REPRODUCTION WILL BE PROSECUTED TO THE FULL EXTENT OF THE LAW

UNLESS OTHERWISE SPECIFIED, DIMENSIONS ARE IN INCHES
.XX = ±.1-
.XXX = ±.015- ANGULAR = ±1°
.XXXX = ±.005- FRACTIONAL = ±1/8



DRAWN BY	SHAWN CROCKER	09/29/2021
CHANGED BY	RAUL MANRIQUE	08/02/2022

MATERIAL
1/8 ALU CHECKER

PART NO. TR3072P

TWO DOOR RECESSED DOOR TOOL BOX - 24 X 30 X 72 - COMPRESSION LOCK - OPEN RIGHT

SIZE A DWG NO. D5860

SCALE 1:20 WEIGHT 150.74 LB SHEET 1 of 1

2

1

B

B

A

A

REV. C

REV. C