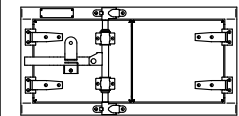


2

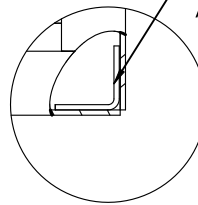
1

OTHER DOOR OPTIONS

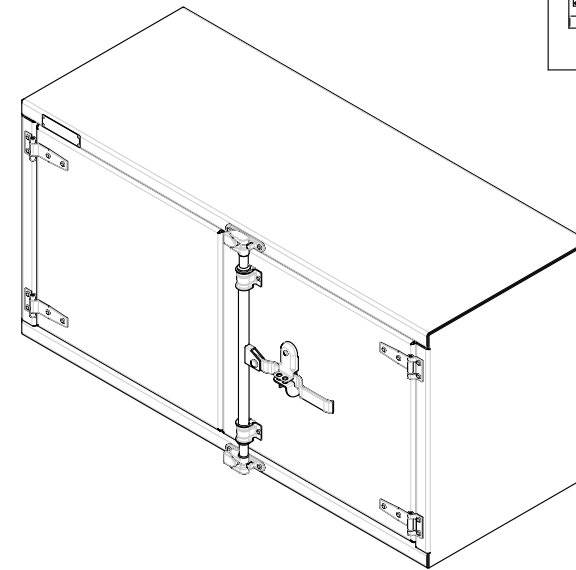
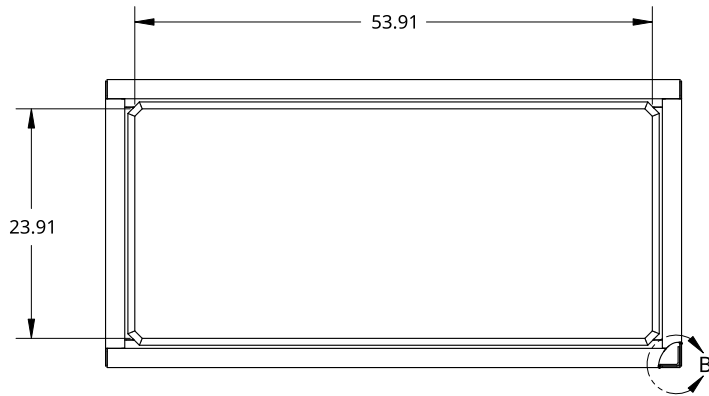


OPEN LEFT

INNER REINFORCEMENT  
ANGLE BOTH SIDES

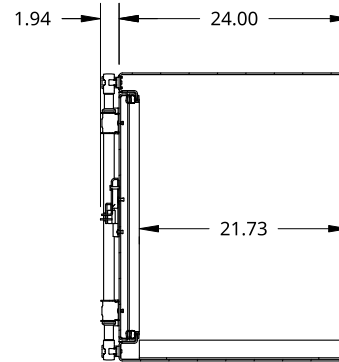
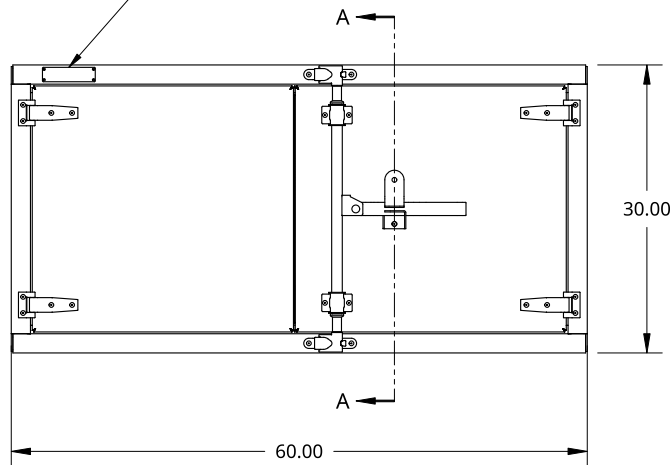


DETAIL B  
SCALE 1:6



B

SMALL SIZE TREBOR NAME PLATE



SECTION A - A

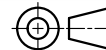
A

THIS DOCUMENT IS THE PROPERTY OF TREBOR  
MANUFACTURING. ANY UNAUTHORIZED REPRODUCTION  
WILL BE PROSECUTED TO THE FULL EXTENT OF THE LAW

UNLESS OTHERWISE SPECIFIED,  
DIMENSIONS ARE IN INCHES

.XX = ±.1-  
.XXX = ±.015- ANGULAR = ±1°  
.XXXX = ±.005- FRACTIONAL = ±1/8

THIRD ANGLE PROJECTION



DRAWN SHAWN CROCKER 09/29/2021

MATERIAL  
1/8 ALU CHECKER

PART NO. TR3060P REV. A1

TWO DOOR RECESSED DOOR TOOL BOX - 24 X 30 X 60 - COMPRESSION  
LOCK - OPEN RIGHT

SIZE A DWG. NO. D5831 REV. A1

SCALE 1:20 WEIGHT 132.15 LB SHEET 1 of 1

2

1