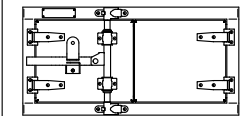


2

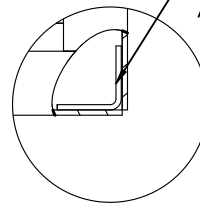
1

OTHER DOOR OPTIONS

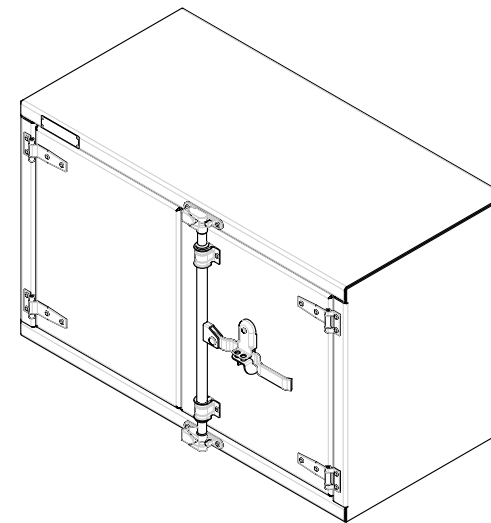
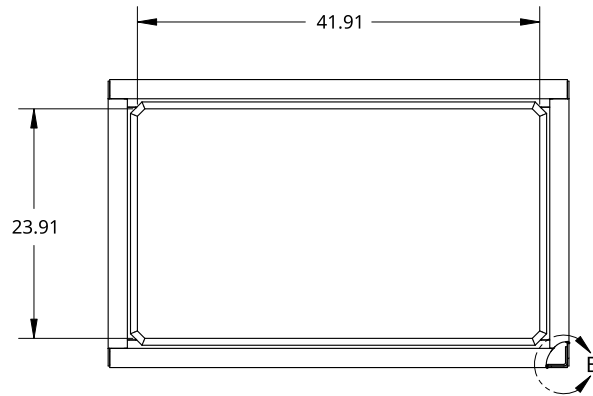


OPEN LEFT

INNER REINFORCEMENT
ANGLE BOTH SIDES

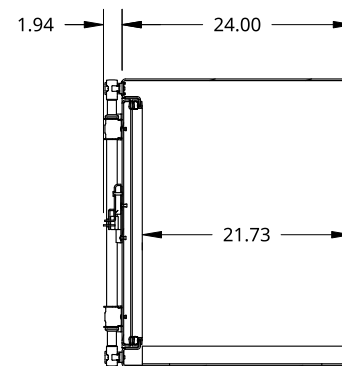
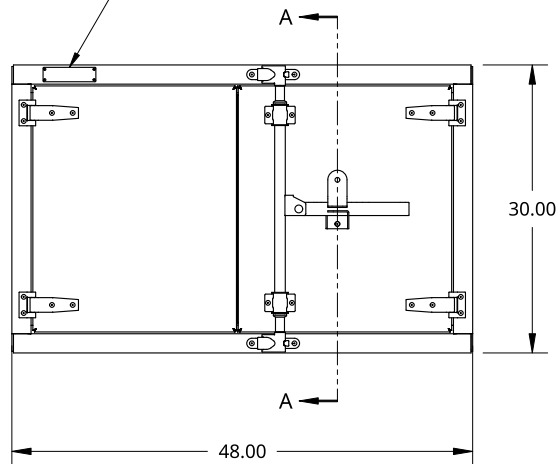


DETAIL B
SCALE 1:6



B

SMALL SIZE TREBOR NAME PLATE



SECTION A - A

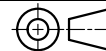
A

THIS DOCUMENT IS THE PROPERTY OF TREBOR
MANUFACTURING. ANY UNAUTHORIZED REPRODUCTION
WILL BE PROSECUTED TO THE FULL EXTENT OF THE LAW

UNLESS OTHERWISE SPECIFIED,
DIMENSIONS ARE IN INCHES

.XX = ±.1- ANGULAR = ±1°
.XXX = ±.015- FRACTIONAL = ±1/8
.XXXX = ±.005-

THIRD ANGLE PROJECTION



DRAWN SHAWN CROCKER 09/29/2021

MATERIAL
1/8 ALU CHECKER

PART NO. TR3048P REV. A1

TWO DOOR RECESSED DOOR TOOL BOX - 24 X 30 X 48 - COMPRESSION
LOCK - OPEN RIGHT

SIZE A DWG. NO. D5801 REV. A1

SCALE 1:20 WEIGHT 113.52 LB SHEET 1 of 1

2

1

B

A