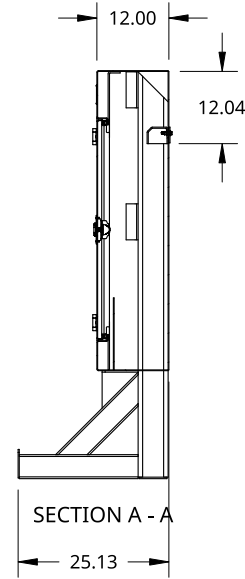
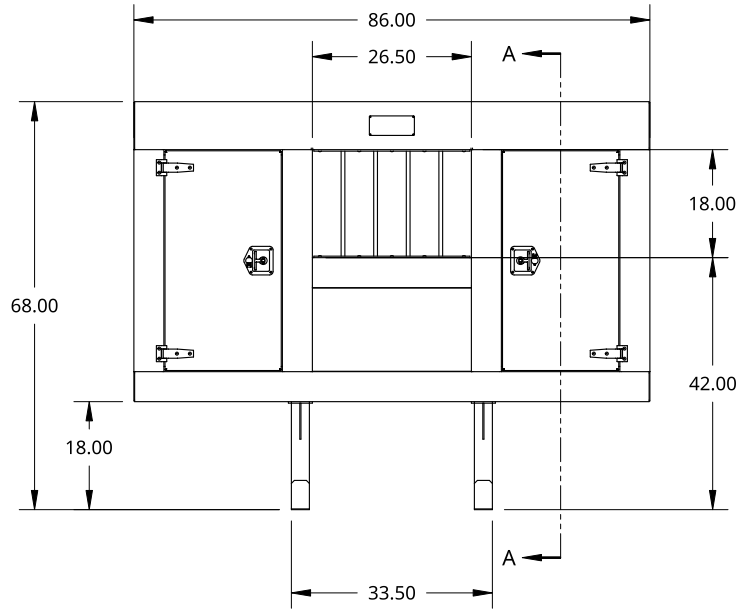
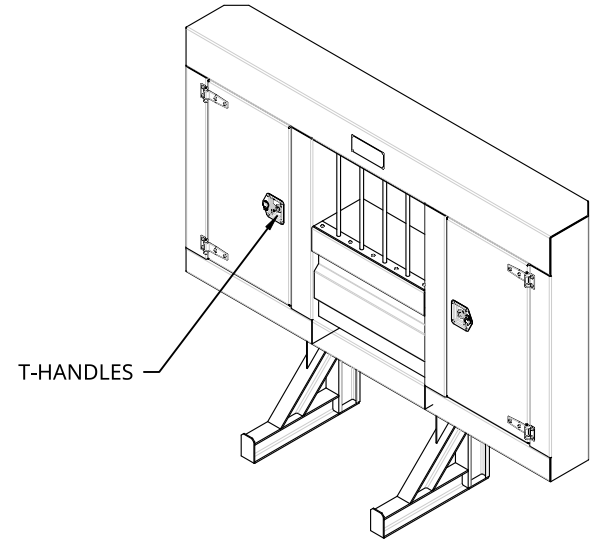
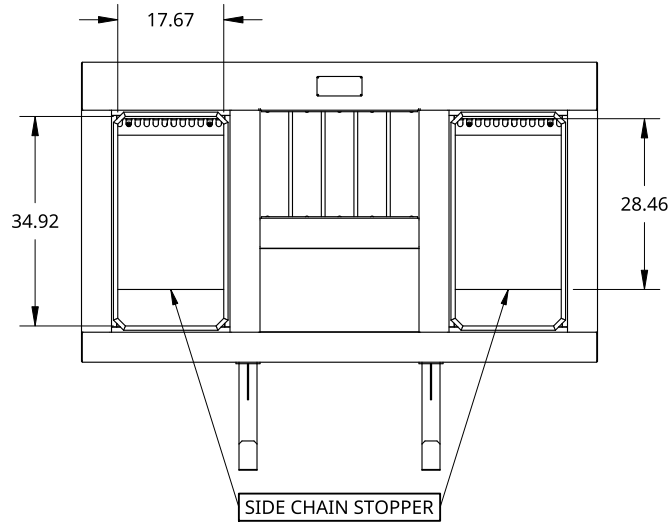


2

1

B

B



A

A

THIS DOCUMENT IS THE PROPERTY OF TREBOR MANUFACTURING. ANY UNAUTHORIZED REPRODUCTION WILL BE PROSECUTED TO THE FULL EXTENT OF THE LAW



PART NO. **TR2DWPL6886** REV. **B**

UNLESS OTHERWISE SPECIFIED, DIMENSIONS ARE IN INCHES

.XX = ±.1-
.XXX = ±.015- ANGULAR = ±1°
.XXXX = ±.005- FRACTIONAL = ±1/8

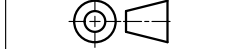
DRAWN BY	SHAWN CROCKER	08/11/2021
CHANGED BY	SHAWN CROCKER	12/15/2022

STANDARD COMPARTMENT CAB SHIELD - TWO DOORS W/WINDOW - T-HANDLE - 68IN HIGH X 86IN WIDE

THIRD ANGLE PROJECTION

MATERIAL

SIZE **A** DWG NO. **D14743** REV. **B**



1/8 ALU MILL

SCALE	1:32	WEIGHT	275.67 lb	SHEET	1 of 1
-------	------	--------	-----------	-------	--------

2

1