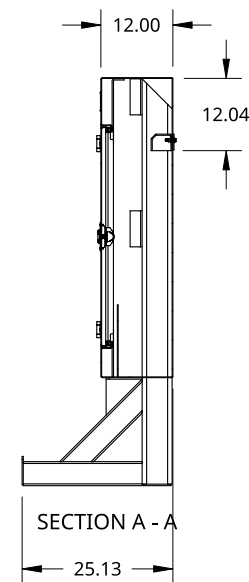
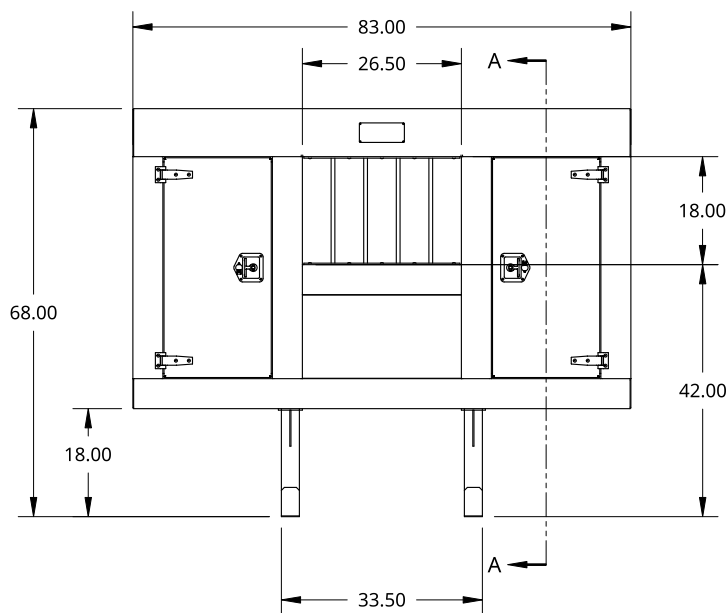
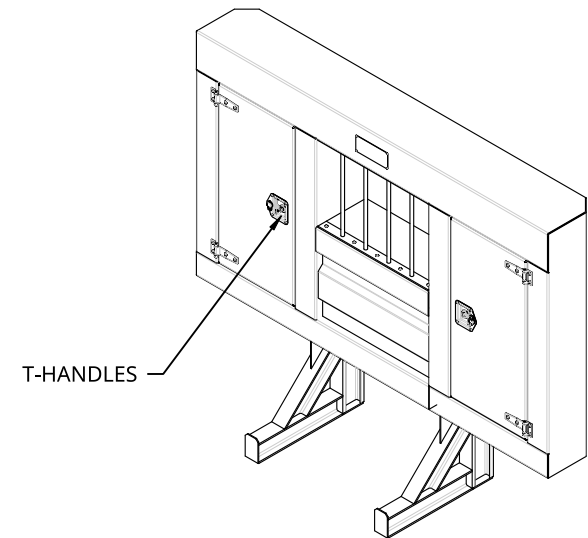
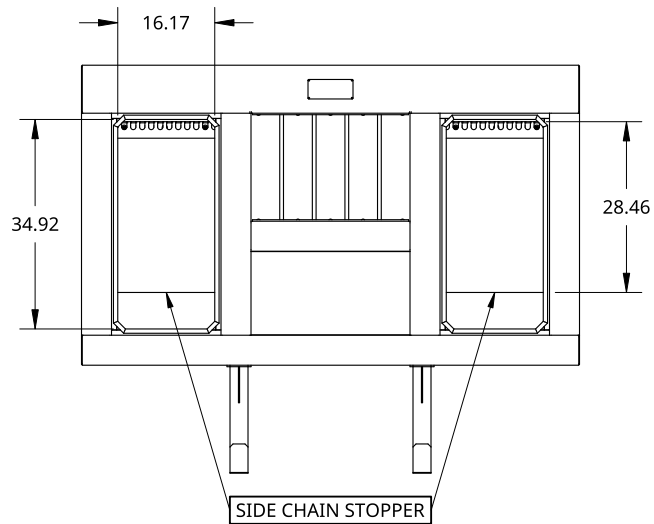


2

1



B

B

A

A

THIS DOCUMENT IS THE PROPERTY OF TREBOR MANUFACTURING. ANY UNAUTHORIZED REPRODUCTION WILL BE PROSECUTED TO THE FULL EXTENT OF THE LAW



PART NO. TR2DWPL6883 REV. B

UNLESS OTHERWISE SPECIFIED, DIMENSIONS ARE IN INCHES

.XX = ±.1-
.XXX = ±.015- ANGULAR = ±1°
.XXXX = ±.005- FRACTIONAL = ±1/8

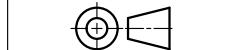
DRAWN BY	SHAWN CROCKER	08/11/2021
CHANGED BY	SHAWN CROCKER	12/15/2022

STANDARD COMPARTMENT CAB SHIELD - TWO DOORS W/WINDOW - T-HANDLE - 68IN HIGH X 83IN WIDE

THIRD ANGLE PROJECTION

MATERIAL

SIZE A DWG NO. D14744 REV. B



1/8 ALU MILL

SCALE 1:32	WEIGHT 270.49 lb	SHEET 1 of 1
------------	------------------	--------------

2

1