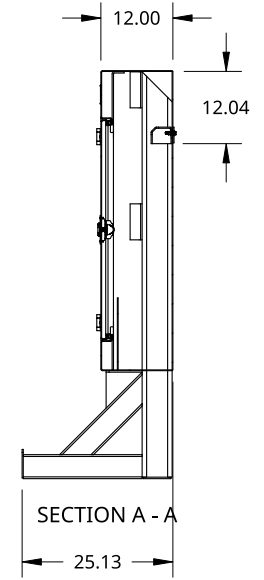
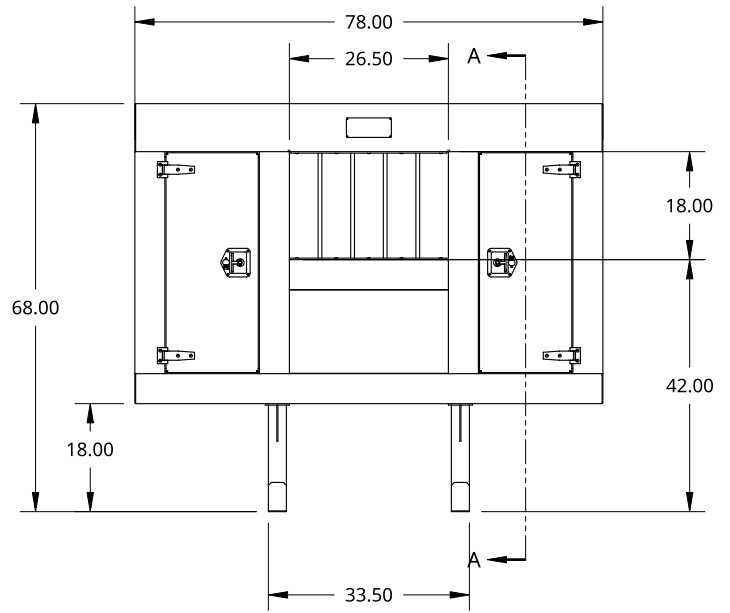
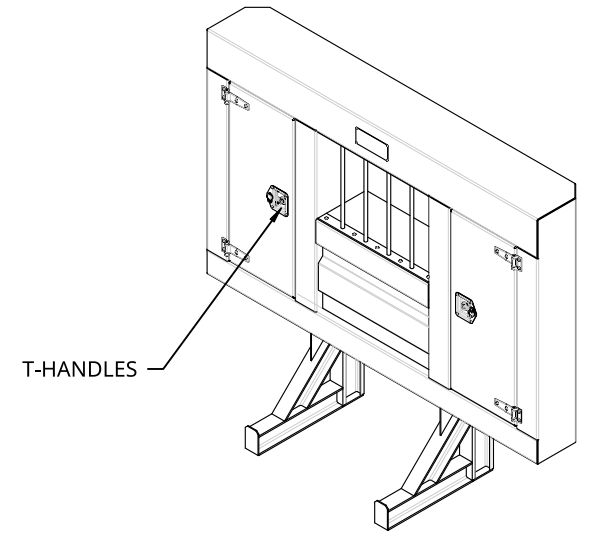
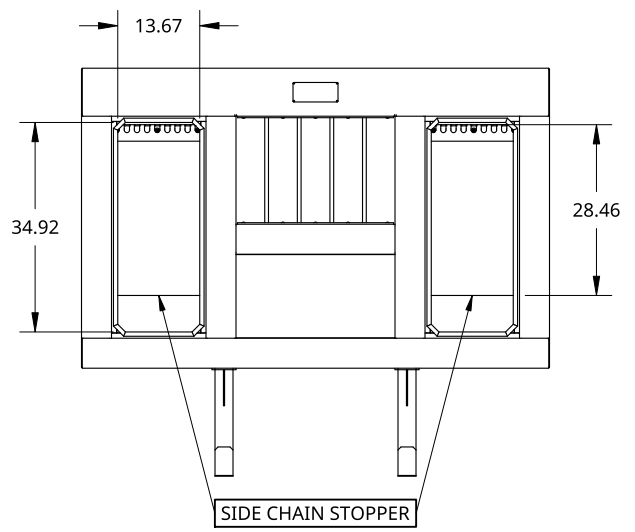


2

1



B

B

A

A

THIS DOCUMENT IS THE PROPERTY OF TREBOR MANUFACTURING. ANY UNAUTHORIZED REPRODUCTION WILL BE PROSECUTED TO THE FULL EXTENT OF THE LAW



PART NO. TR2DWPL6878

REV. C

UNLESS OTHERWISE SPECIFIED, DIMENSIONS ARE IN INCHES

.XX = ±.1-
.XXX = ±.015-
.XXXX = ±.005-

ANGULAR = ±1°
FRACTIONAL = ±1/8

DRAWN BY	SHAWN CROCKER	08/11/2021
CHANGED BY	SHAWN CROCKER	12/15/2022

STANDARD COMPARTMENT CAB SHIELD - TWO DOORS W/WINDOW - T-HANDLE - 68IN HIGH X 78IN WIDE

THIRD ANGLE PROJECTION

MATERIAL

SIZE A DWG NO. D1418

REV. C



1/8 ALU MILL

SCALE 1:32	WEIGHT 260.9 lb	SHEET 1 of 1
------------	-----------------	--------------

2

1