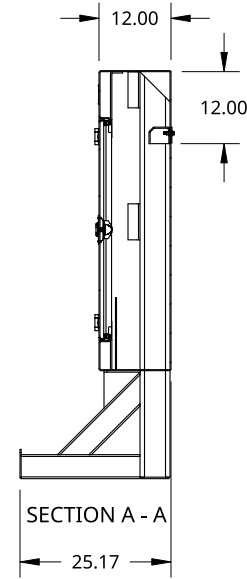
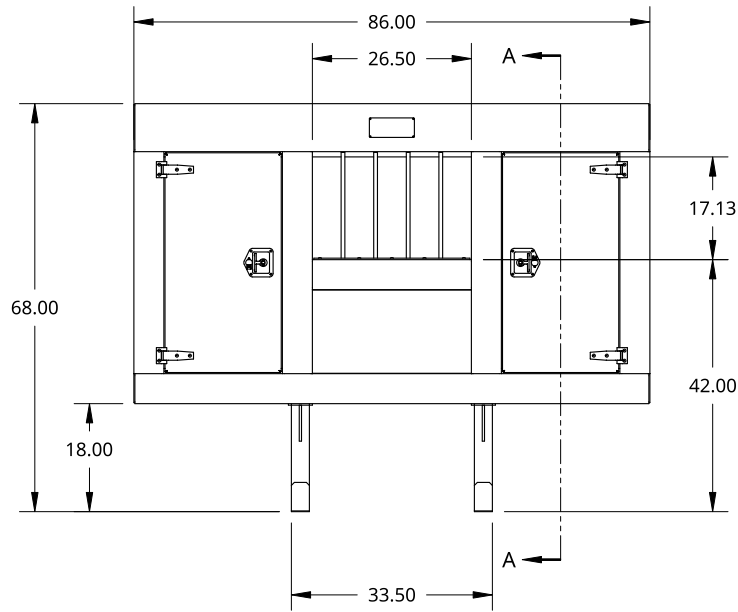
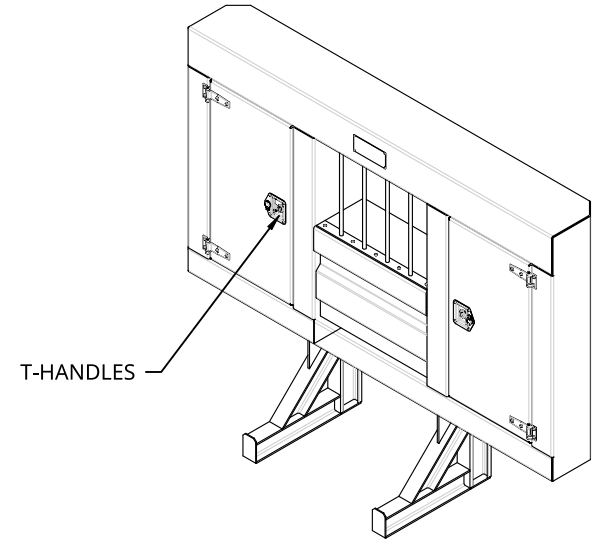
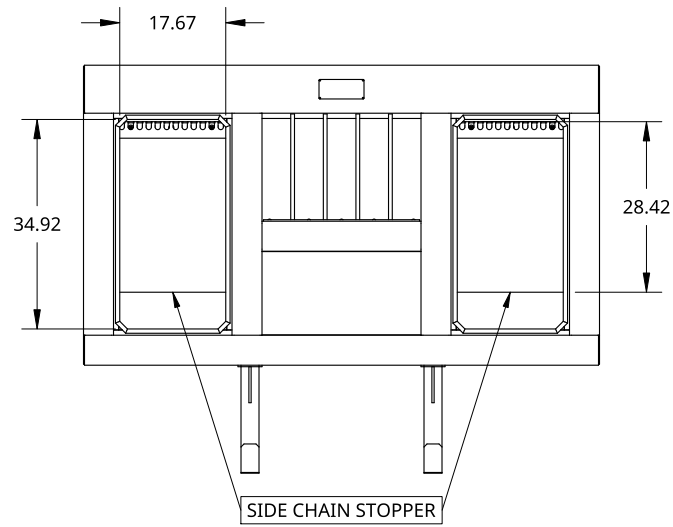


2

1

B

B



A

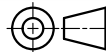
A

THIS DOCUMENT IS THE PROPERTY OF TREBOR MANUFACTURING. ANY UNAUTHORIZED REPRODUCTION WILL BE PROSECUTED TO THE FULL EXTENT OF THE LAW

UNLESS OTHERWISE SPECIFIED, DIMENSIONS ARE IN INCHES

.XX = ±.1-
.XXX = ±.015- ANGULAR = ±1°
.XXXX = ±.005- FRACTIONAL = ±1/8

THIRD ANGLE PROJECTION



DRAWN SHAWN CROCKER 08/11/2021

MATERIAL

1/8 ALU CHECKER

PART NO. TR2DW6886 REV. D

STANDARD COMPARTMENT CAB SHIELD - TWO DOORS W/WINDOW - T-HANDLE - 68IN HIGH X 86IN WIDE

SIZE A DWG NO. D0763 REV. D

SCALE 1:32 WEIGHT 289.67 LB SHEET 1 of 1

2

1