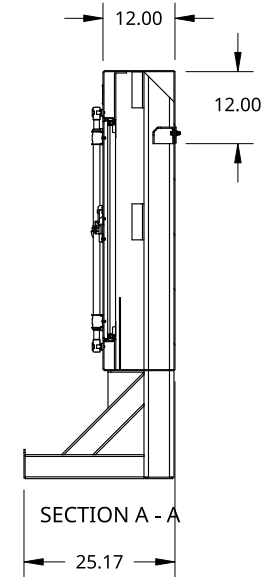
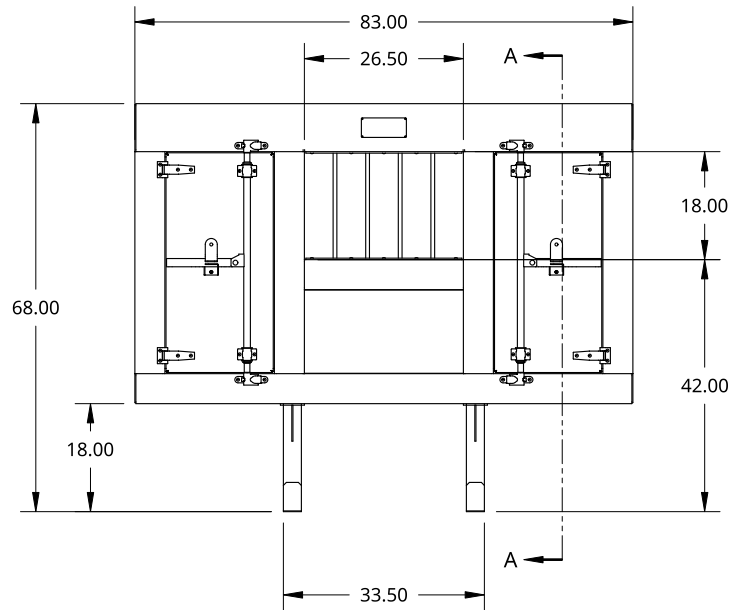
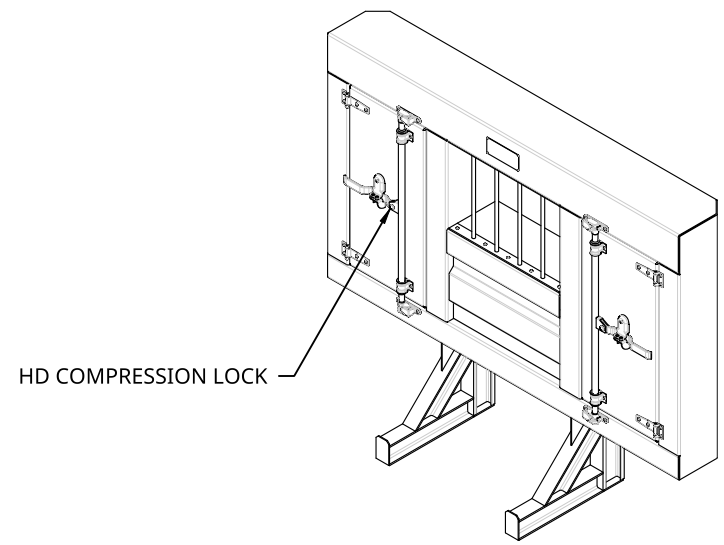
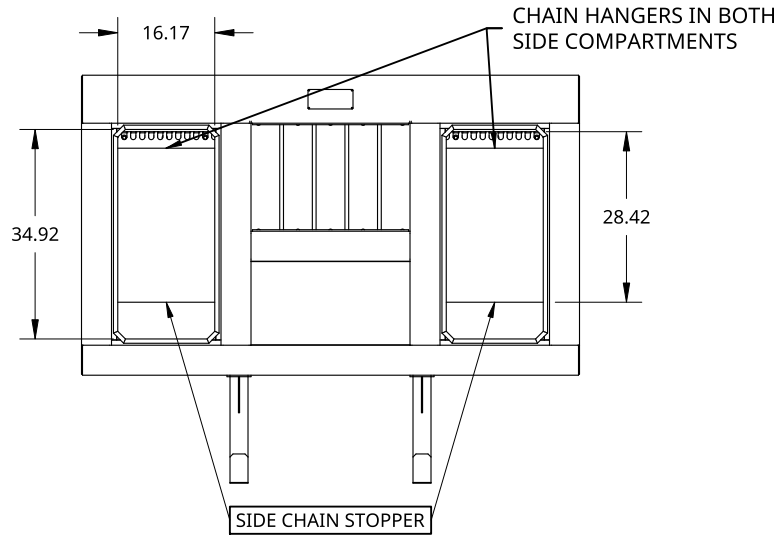


2

1



B

B

A

A

THIS DOCUMENT IS THE PROPERTY OF TREBOR MANUFACTURING. ANY UNAUTHORIZED REPRODUCTION WILL BE PROSECUTED TO THE FULL EXTENT OF THE LAW



PART NO. TR2DW6883P

REV. A1

UNLESS OTHERWISE SPECIFIED, DIMENSIONS ARE IN INCHES

.XX = ±.1-  
.XXX = ±.015- ANGULAR = ±1°  
.XXXX = ±.005- FRACTIONAL = ±1/8

DRAWN BY	SHAWN CROCKER	08/11/2021
CHANGED BY	SHAWN CROCKER	06/19/2023

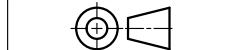
STANDARD COMPARTMENT CAB SHIELD - TWO DOORS W/WINDOW - COMPRESSION LOCK - 68IN HIGH X 83IN WIDE

THIRD ANGLE PROJECTION

MATERIAL

SIZE A DWG NO. D31513

REV. A



1/8 ALU CHECKER

SCALE	1:32	WEIGHT	304.57 LB	SHEET	1 of 1
-------	------	--------	-----------	-------	--------

2

1