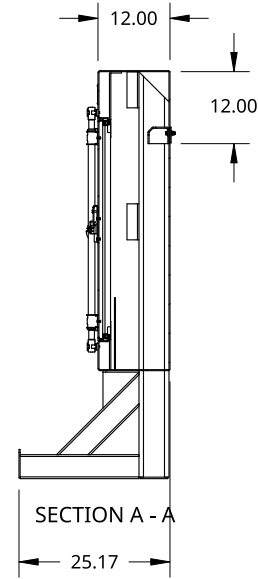
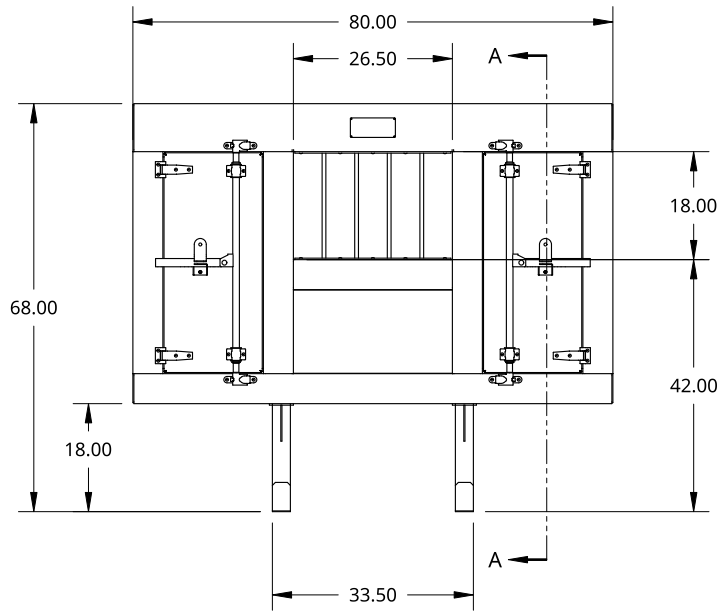
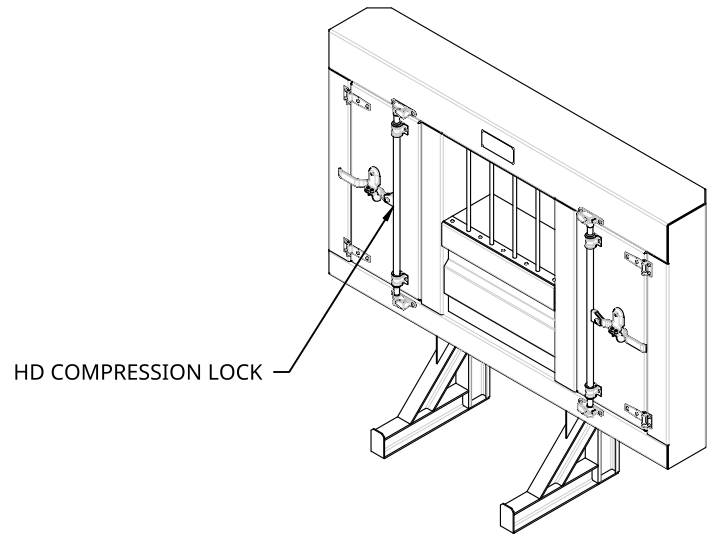
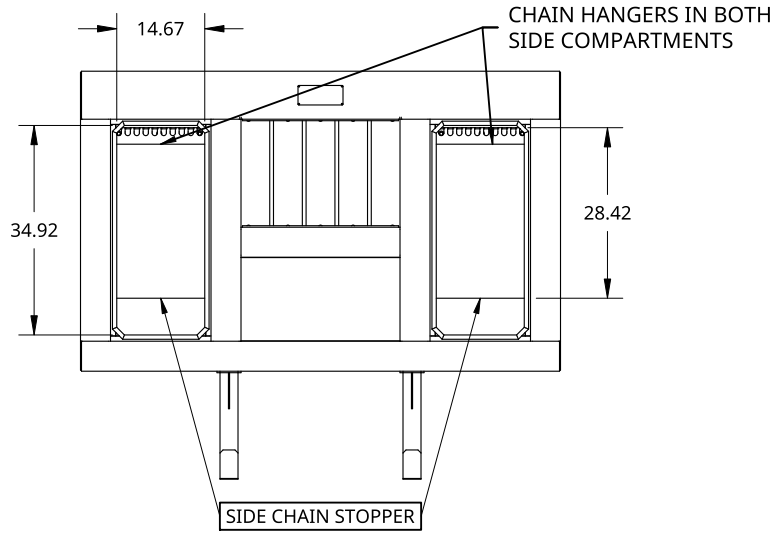


2

1



B

B

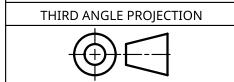
A

A

THIS DOCUMENT IS THE PROPERTY OF TREBOR MANUFACTURING. ANY UNAUTHORIZED REPRODUCTION WILL BE PROSECUTED TO THE FULL EXTENT OF THE LAW



UNLESS OTHERWISE SPECIFIED, DIMENSIONS ARE IN INCHES
 .XX = ±.1-
 .XXX = ±.015-
 .XXXX = ±.005-
 ANGULAR = ±1°
 FRACTIONAL = ±1/8



DRAWN BY	SHAWN CROCKER	06/16/2023
CHANGED BY	SHAWN CROCKER	06/19/2023

MATERIAL
 1/8 ALU CHECKER

PART NO.		TR2DW6880P		REV.	A
STANDARD COMPARTMENT CAB SHIELD - TWO DOORS W/WINDOW - COMPRESSION LOCK - 68IN HIGH X 80IN WIDE					
SIZE	A	DWG NO.	D31512		REV.
SCALE	1:32	WEIGHT	298.82 LB	SHEET	1 of 1

2

1