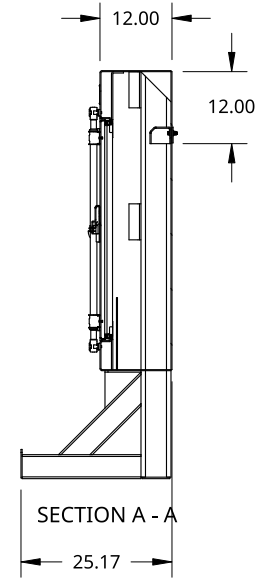
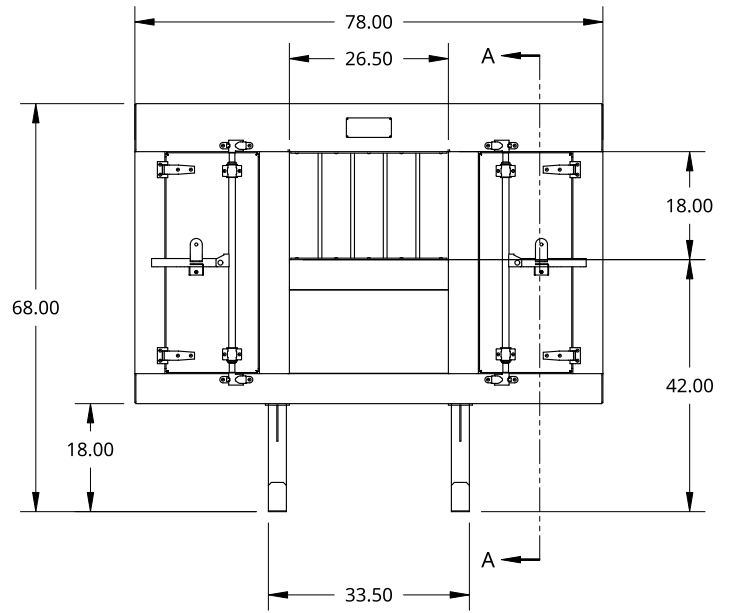
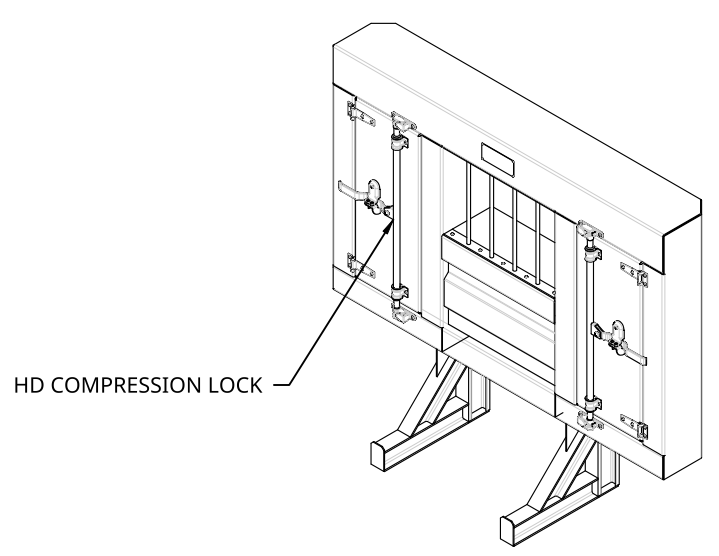
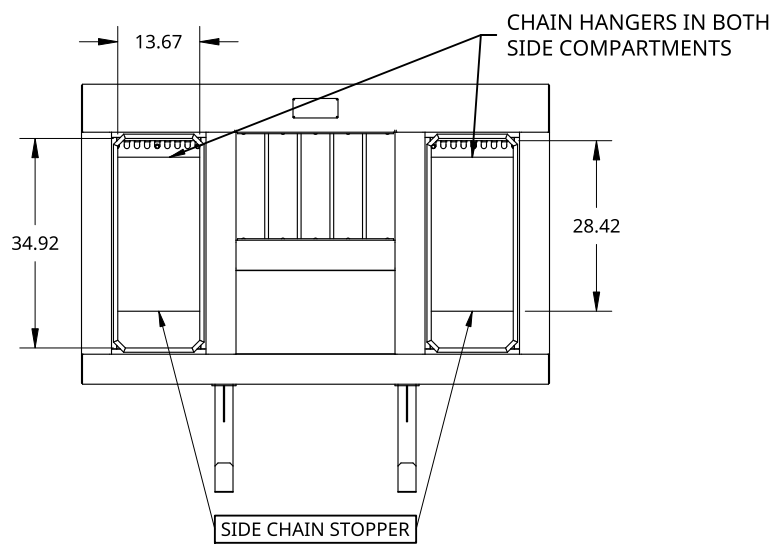


2

1



B

B

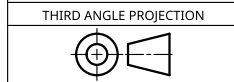
A

A

THIS DOCUMENT IS THE PROPERTY OF TREBOR MANUFACTURING. ANY UNAUTHORIZED REPRODUCTION WILL BE PROSECUTED TO THE FULL EXTENT OF THE LAW



UNLESS OTHERWISE SPECIFIED, DIMENSIONS ARE IN INCHES
 .XX = ±.1-
 .XXX = ±.015- ANGULAR = ±1°
 .XXXX = ±.005- FRACTIONAL = ±1/8



DRAWN BY	SHAWN CROCKER	08/11/2021
CHANGED BY	SHAWN CROCKER	06/19/2023

MATERIAL
 1/8 ALU CHECKER

PART NO. TR2DW6878P

STANDARD COMPARTMENT CAB SHIELD - TWO DOORS W/WINDOW - COMPRESSION LOCK - 68IN HIGH X 78IN WIDE

SIZE A DWG NO. D31511

SCALE 1:32 WEIGHT 294.28 LB SHEET 1 of 1

REV. B

REV. A

2

1